

K.L.INTER-NATIONAL SCHOOL

(VILL. SARAI KAZI)

TO JAGRITI VIHAR

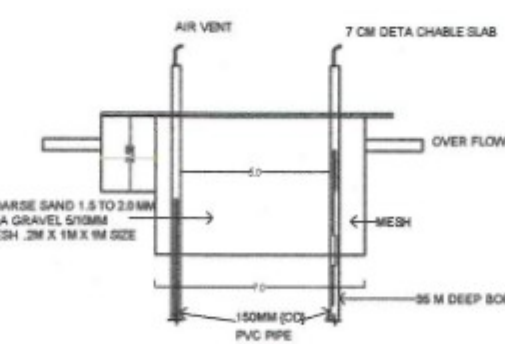
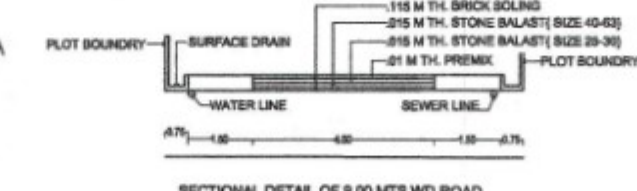
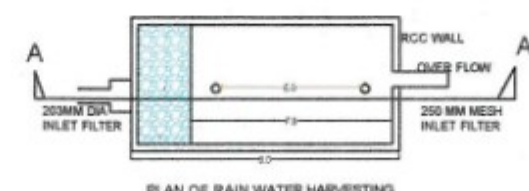
12.0 M.WIDE EXISTING ROAD

TO 24.0 M MASTER PLAN ROAD

SOMDUIT VIHAR COLONY

LAND OF SH. SHRI KRISHNA (KHASRA NO. 63/1)

SOMDUIT VIHAR COLONY



PLOT DETAILS

PLOT NO.	DIMENSIONS (IN METRES)	AREA IN SQ.M. (APPROX.)
RESIDENTIAL PLOTS		
1	AS PER LAYOUT	274.72
2	AS PER LAYOUT	193.90
3	AS PER LAYOUT	215.27
4	AS PER LAYOUT	221.90
5	AS PER LAYOUT	229.29
6	AS PER LAYOUT	235.85
7	AS PER LAYOUT	242.29
8	AS PER LAYOUT	296.40
9	AS PER LAYOUT	288.10
10	AS PER LAYOUT	277.54
11	AS PER LAYOUT	211.73
12	AS PER LAYOUT	201.56
12A	AS PER LAYOUT	213.79
14	AS PER LAYOUT	188.66
15	9.92 x 18.29	181.50
16 TO 18	7.32 x 18.29	133.78
19	AS PER LAYOUT	133.77
20	AS PER LAYOUT	133.64
21	AS PER LAYOUT	133.47
22	AS PER LAYOUT	133.20
23	AS PER LAYOUT	132.75
24	AS PER LAYOUT	132.29
25	AS PER LAYOUT	131.83
26	AS PER LAYOUT	175.06
27 TO 30	7.92 x 13.72	108.70
31 TO 36	7.24 x 13.72	99.29
37 TO 38	9.45 x 13.72	129.60
39 TO 44	7.24 x 13.72	99.29
45 TO 48	7.92 x 13.72	108.70
49	AS PER LAYOUT	164.04
50 TO 59	7.24 x 13.72	99.29
60 TO 61	8.53 x 13.72	117.06
62 TO 71	7.24 x 13.72	99.29
72	AS PER LAYOUT	138.68
73 TO 81	7.24 x 13.72	99.29
82	8.53 x 13.72	117.06
83	8.53 x 14.63	124.86
84 TO 92	7.24 x 14.63	105.91
93	AS PER LAYOUT	176.28
94	AS PER LAYOUT	197.71
95 TO 102	7.32 x 16.46	120.40
103 TO 104	8.69 x 16.46	142.98
105 TO 112	7.32 x 16.46	120.40
114	AS PER LAYOUT	167.31
115	AS PER LAYOUT	134.04
116	AS PER LAYOUT	134.67
117	AS PER LAYOUT	132.64
118	AS PER LAYOUT	130.93
119	AS PER LAYOUT	131.14
120	AS PER LAYOUT	131.37
121	AS PER LAYOUT	131.59
122	AS PER LAYOUT	197.66
COMMERCIAL PLOTS		
C-1	AS PER LAYOUT	196.80
C-2	AS PER LAYOUT	167.11
C-3	AS PER LAYOUT	190.87
C-4	AS PER LAYOUT	102.99

PROJECT TITLE:-

RESIDENTIAL LAYOUT PLAN OF ' SOMDUIT ENCLAVE ' SITUATED AT KHASRA NOS. 63/2, 64, 65/1 & 65/2 OF VILL. SARAI KAZI MEERUT.

AREA CHART:-

S.No.	PARTICULARS	IN SQ.M.	%
1-	TOTAL LAND AREA AS PER SITE	28447.38	100.0
2-	AREA UNDER RESIDENTIAL PLOTS	15789.19	55.70
3-	AREA UNDER SECTOR SHOPPING	554.78	2.10
4-	AREA UNDER CONVENIENT SHOPS	102.99	0.39
5-	AREA UNDER PARKS & PATHWAYS	4121.25	15.58
6-	AREA UNDER AMENITIES	60.04	0.23
7-	AREA UNDER ROADS	5819.13	22.00

LEGEND

- 1- SITE BOUNDARY
- 2- DRAINS
- 3- WATER LINE
- 4- SEWER LINE
- 5- ELECTRIC LINE
- 6- H.T. LINE
- 7- MAIN HOLE 600X900
- 8- MAIN HOLE 9100 - 12000
- 9- OVERHEAD TANK
- 10- SEWAGE TREATMENT PLANT
- 11- RAINWATER HARVESTING
- 12- DUSTBIN

DENSITY

- 1- TOTAL NO. OF RESI. PLOTS = 121
- 2- TOTAL NO. OF COMM. PLOTS = 4
- 3- TOTAL NO. OF RESI. UNITS = 21 x 4 + 100 x 2 = 284 UNITS
- 4- POPULATION = 284 x 5 = 1420 PERSONS
- 5- DENSITY = 1420 / 2,844 HA = 536.90

DRAWING TITLE:-

SEWER LINE PLAN

OWNERS:-

SH. PRADEEP KUMAR S/O LATE SH. SOMDUIT SMT. INDIRA RANI W/O LATE SH. PRAKASH CHAND SH. TUSHAR SINGH S/O LATE SH. PRAKASH CHAND SH. HIMANSHU PATEL S/O LATE SH. KRISHNA GOPAL

ARCHITECT:-

Amitya Chauhan
B-Tech. Civil.
IIT Delhi
OB PAS ID-AM 1832 398/3111
M-7906415683

SHEET-1 SCALE:- 1:500 DATE:- 08-DEC-2022