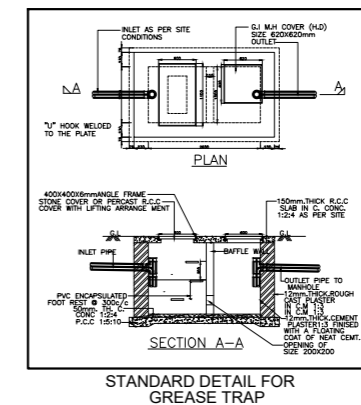
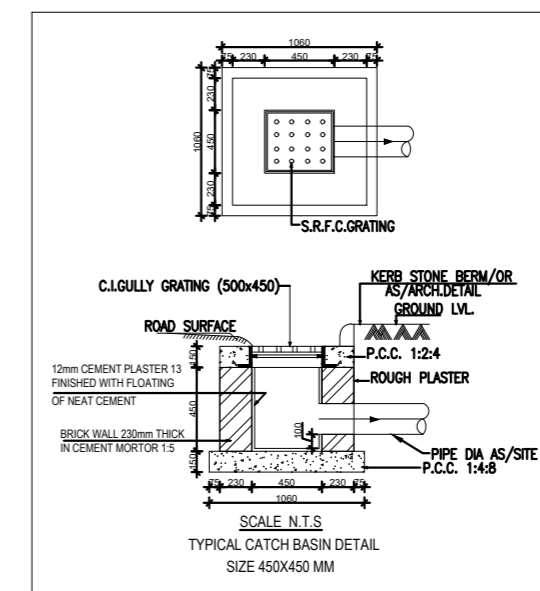
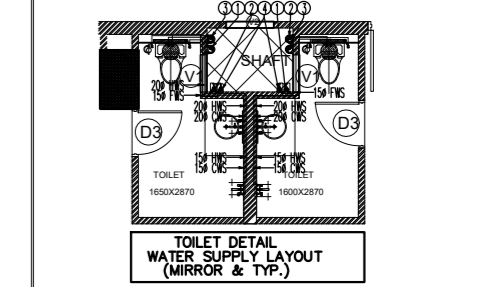
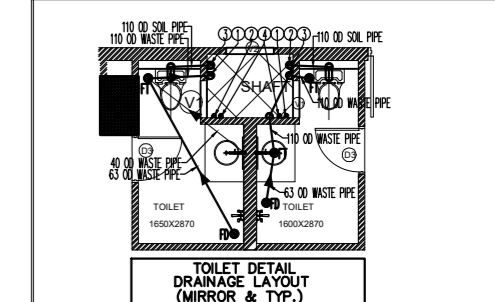
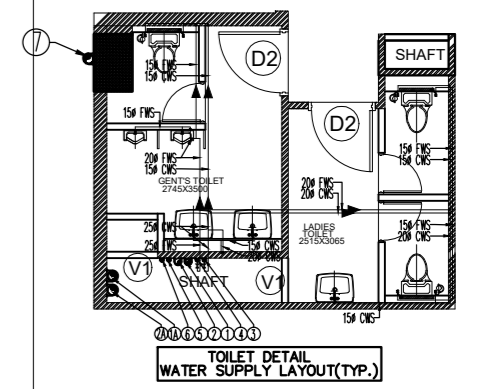
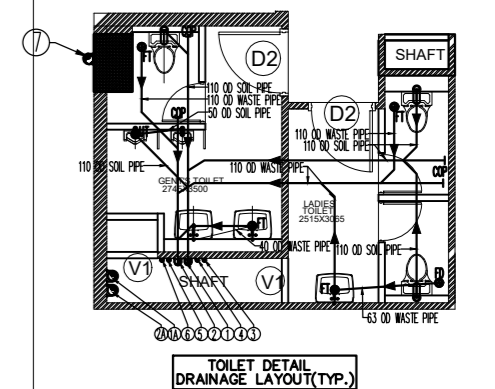


Water Requirement						
S. No.	Description	Units Area Sqm	Occupancy per unit (Person)	Total Occupancy	Water Requirement per capita per day (LPCD)	Total Requirement (liters)
LOWER-1						
1	LOWER GROUND (SPOF)	913	50/person	304	15	4565
2	UPPER GROUND (SPOF)	918	50/person	306	15	4590
3	FIRST FLOOR (SPOF)	940	50/person	315	15	4725
4	SECOND FLOOR (SPOF)	940	50/person	315	15	4725
5	THIRD FLOOR (SPOF)	940	50/person	315	15	4725
6	11th, 12th, 13th, 14th, 15th, 16th, 17th, 18th, 19th, 20th, 21st, 22nd FLOOR (SPOF)	12000	2 person/room	240	100	24000
7	22nd FLOOR (SPOF)	464	50/person	155	35	5425
8	WATER TOWER					10000
9	SERVICE STAFFS			100	45	4500
TOTAL						67975
Water Requirement for Air Conditioning						29972
Water Requirement for Fire Fighting						80
TOTAL						98827
Capacity of Storage Treatment Plant						
10% of Domestic Water + 10% of Fire Fighting Water						17980 LPH
10% of Domestic Water						17980 LPH
10% of Fire Fighting Water						17980 LPH
TOTAL						35960 LPH

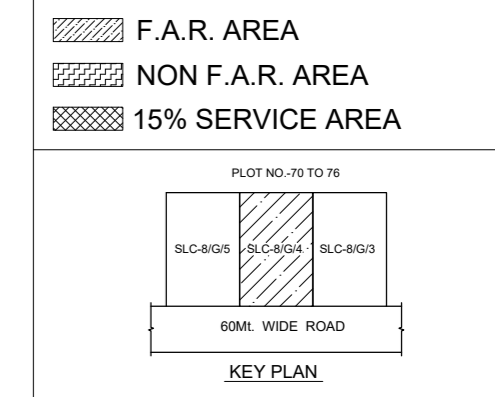


PLUMBING LEGEND:-		PLUMBING LEGEND:-	
(1)	110 OD SOIL PIPE	—	SOIL PIPE LINE
(2)	110 OD WASTE PIPE	—	WASTE PIPE LINE
(3)	160 OD SOIL PIPE	(CWS)	COLD WATER SUPPLY
(4)	160 OD WASTE PIPE	(FWS)	FLUSHING WATER SUPPLY
(5)	COLD WATER SUPPLY PIPE (CWS)	(HWS)	HOT WATER SUPPLY
(6)	FLUSHING WATER SUPPLY PIPE (FWS)	—	CISTERN WITH ANGLE VALVE
(7)	32# COLD WATER RISER PIPE (CWR)	HF	HEALTH FAUCET
(8)	32# FLUSHING WATER RISER PIPE (FWR)	▽	VALVE
(9)	160 OD RAIN WATER PIPE	●	GEYSER
FT	FLOOR TRAP		
FD	FLOOR DRAIN		



NOTE:- THIS SLD IS ONLY FOR VERTICAL PIPE. HORIZONTAL PIPE SIZE REFER THE TERRACE PLAN

LEGEND	
[Hatched]	F.A.R. AREA
[Dotted]	NON F.A.R. AREA
[Cross-hatched]	15% SERVICE AREA

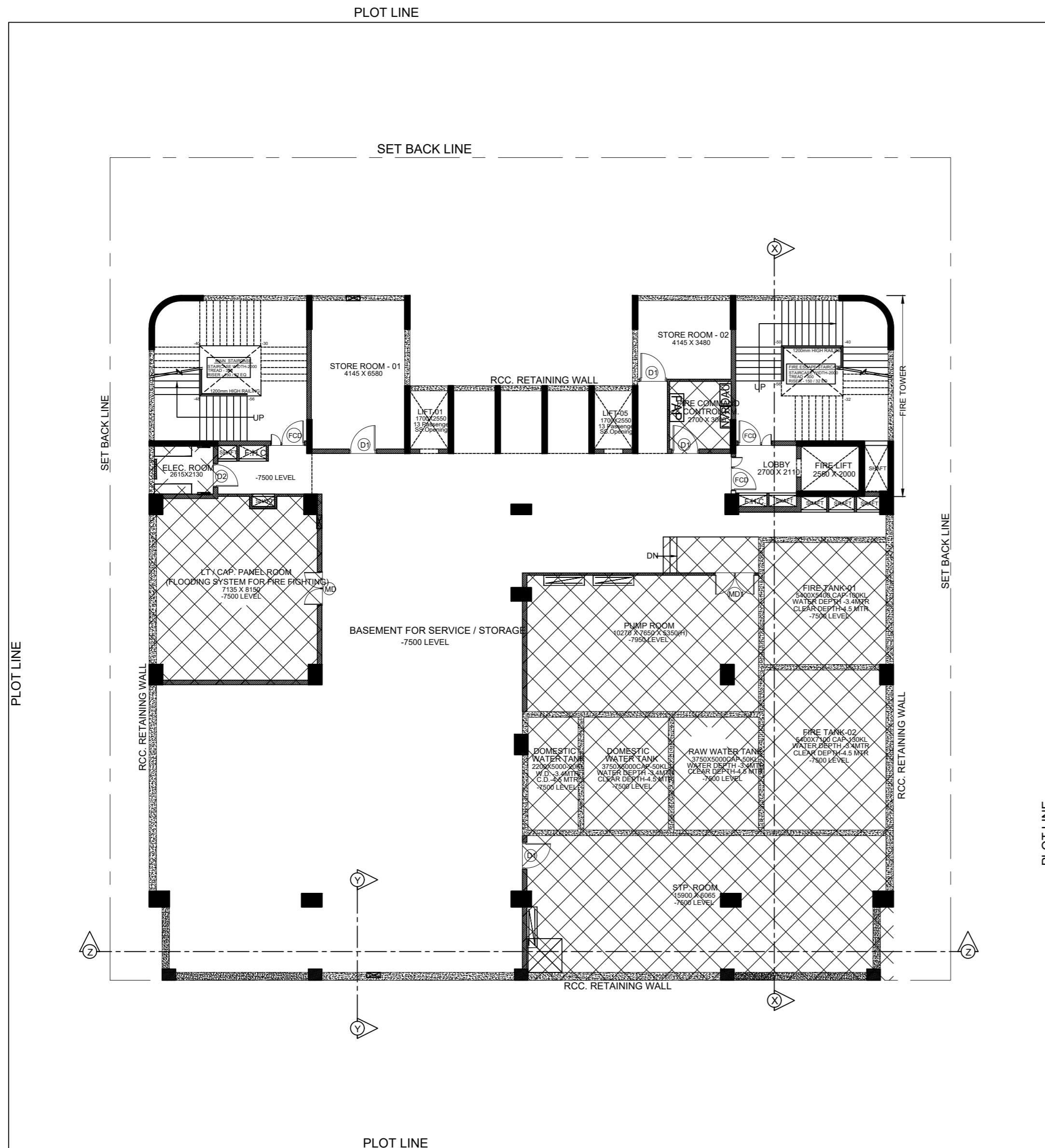


FOR SANCTION
 PROJECT:- PROPOSED COMMERCIAL COMPLEX "DIVYARV GRANDE" FOR SUKADIV PROJECTS LLP.
 AT PLOT No. SLC-8/G/4, DELTA-II, GREATER NOIDA.

ARCHITECTS:- **plan india group**
 ARCHITECTURE, LANDSCAPE, INTERIOR DESIGN, & PLANNING
 P-10, RAJ NAGAR, SECTOR-50, NOIDA 201301
 M: No. 98100-62882
 email:- planindia@rediffmail.com

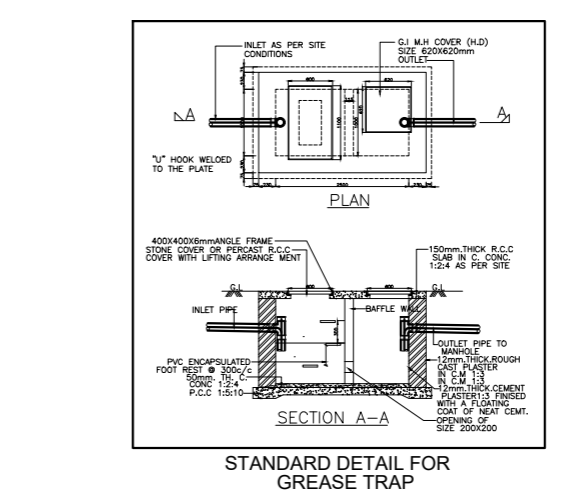
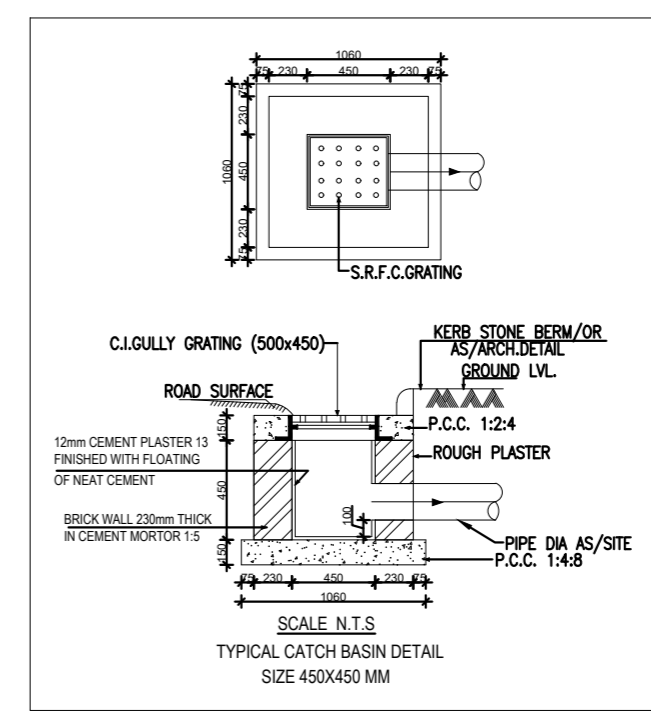
For SUKADIV PROJECTS LLP
 Authorised Signatory

TITLE:-	PLUMBING SCHEMATIC DIAGRAM
DATE	25/07/2025
DRG. NO.	PL-01B



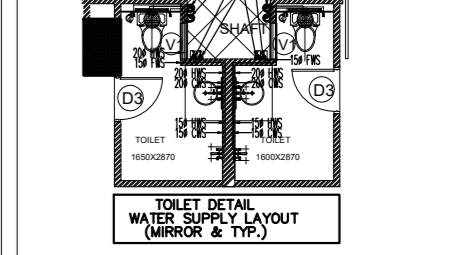
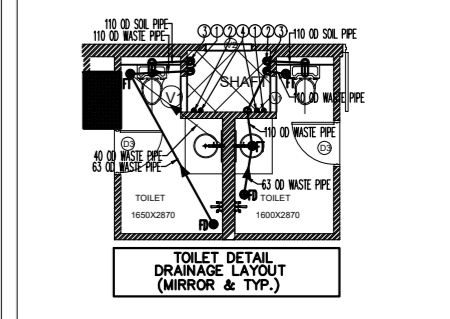
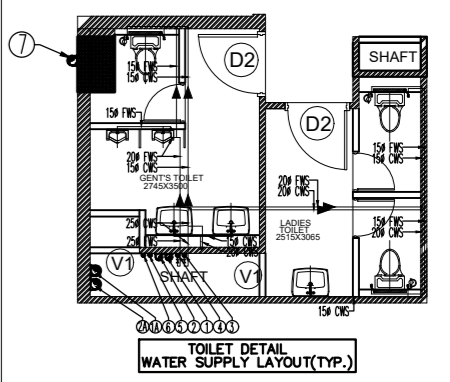
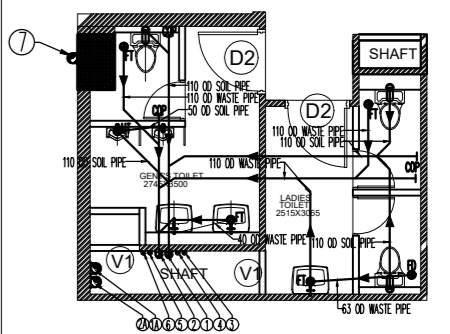
BASEMENT PLAN

Water Requirement									
S. No.	Description	Units/Area Sqmtr	Occupancy per unit (Persons)	Total Occupancy	Water Requirement per capita per day (L/PCD)	Total Requirement (lit)	Total Domestic Water Requirement (lit)	Total Flushing Water Requirement (lit)	Total Requirement (lit)
TOWER - 1									
1	LOWER GROUND (SHOPS)	913	55/person	304	15	4565	1968	2607	
2	UPPER GROUND (SHOPS)	918	55/person	306	15	4590	1984	2606	
3	FIRST FLOOR (SHOP)	943	55/person	157	15	2355	623	1732	
4	SECOND FLOOR (SHOP)	943	55/person	157	15	2355	623	1732	
5	THIRD FLOOR (SHOP)	943	55/person	157	15	2355	623	1732	
6	13th, 14th, 15th, 16th, 17th, 18th, 19th & 20th FLOORS (ROOMS)	830	2 person/Room	240	90	43200	28800	14400	
7	27th FLOOR (ROOM)	464	55/person	155	35	5413	3769	1624	
8	WATCHMEN & LAUNDRY					10000			
9	SERVICE STAFFS			100	45	4500	3700	1800	
TOTAL						87595	47815	39780	87595
10. Water requirement for Airconditioning AC (Power 0.80 TR)									
Litre Consumption, Bleeding Loss - 1.5%							25983		82
Volume of Flow @ 4.15 GPM/TR									
Hours of Operation - 24 Hrs.									
Average Daily Loading - 100%									
11. Back Wash For Filter					L.S.		15000	65000	
Total							150228	62115	39780
Capacity of Sewage Treatment Plant:									
10% of Domestic Water = 20% of Flushing Water							77390	LFD	
Add 30%							15	13.6%	
Total							77545		
lit/day							100	0.3%	



PLUMBING LEGEND:-	
①	110 OD SOIL PIPE
②	110 OD WASTE PIPE
③	160 OD SOIL PIPE
④	160 OD WASTE PIPE
⑤	COLD WATER SUPPLY PIPE (CWS)
⑥	FLUSHING WATER SUPPLY PIPE (FWS)
⑦	32* COLD WATER RISER PIPE (CWR)
⑧	32* FLUSHING WATER RISER PIPE (FWR)
⑨	160 OD RAIN WATER PIPE
FT	FLOOR TRAP
FD	FLOOR DRAIN

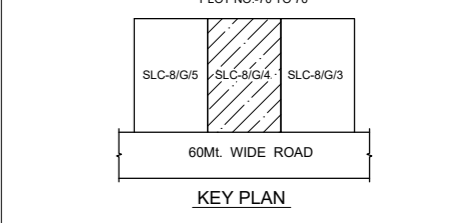
PLUMBING LEGEND:-	
—	SOIL PIPE LINE
—	WASTE PIPE LINE
(CWS)	COLD WATER SUPPLY
(FWS)	FLUSHING WATER SUPPLY
(HWS)	HOT WATER SUPPLY
—	CISTERN WITH ANGLE VALVE
HF	HEALTH FAUCET
∇	VALVE
●	GEYSER



RAJESH VERMA
Architect
51, Rail Vihar, Sector - 33, Noida.
GGS/10891

For **SUKADIV PROJECTS LLP**
Authorised Signatory

- ▨ F.A.R. AREA
- ▨ NON F.A.R. AREA
- ▨ 15% SERVICE AREA



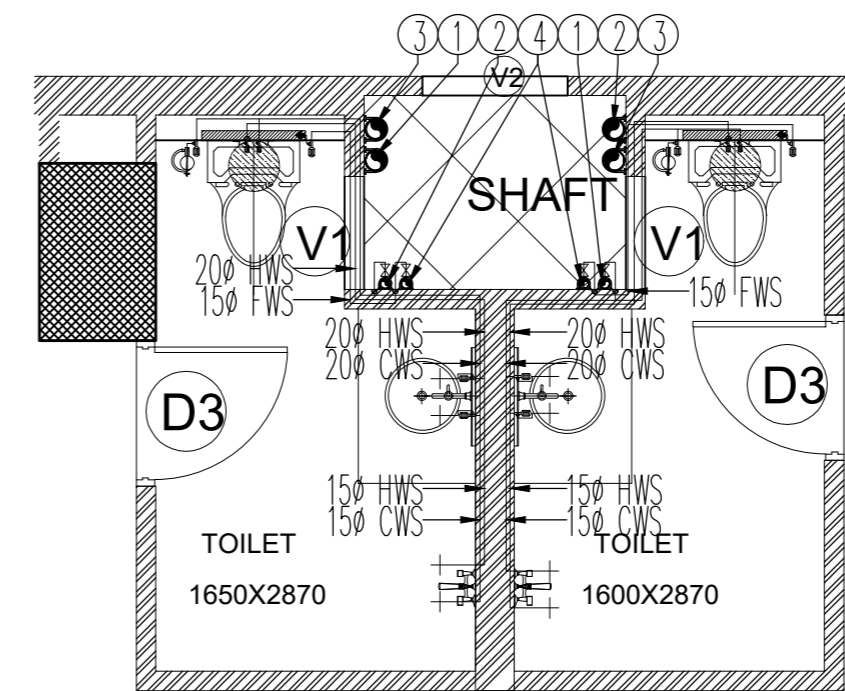
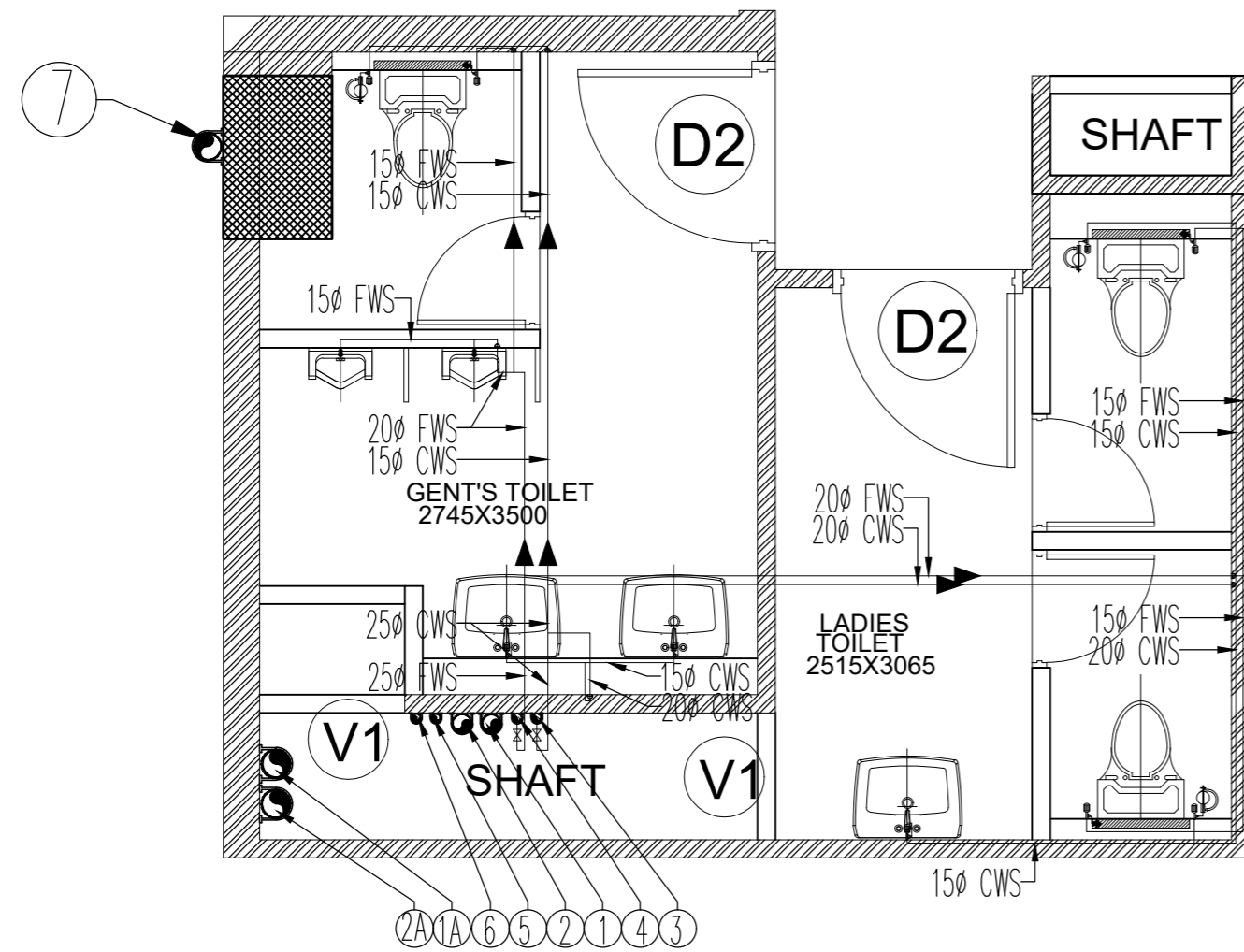
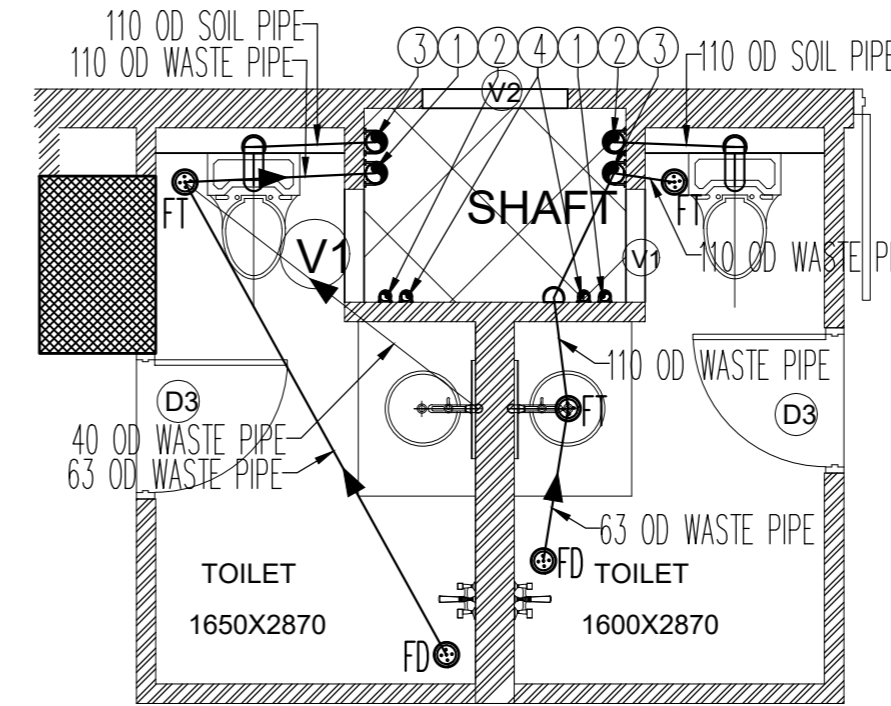
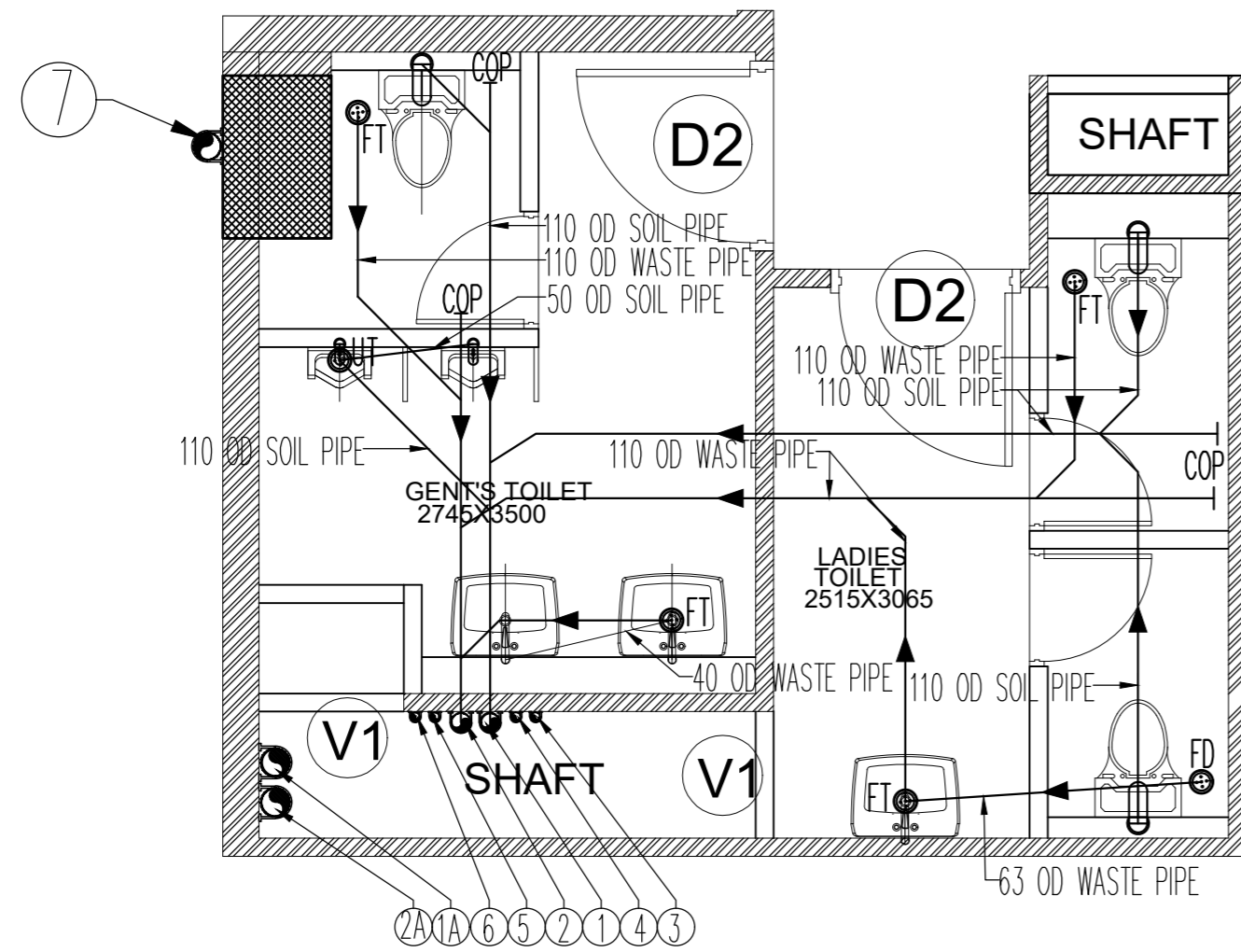
FOR SANCTION

PROJECT:- PROPOSED COMMERCIAL COMPLEX "DIVYARV GRANDE" FOR **SUKADIV PROJECTS LLP.**
AT PLOT NO. SLC-8/G/4, DELTA-II, GREATER NOIDA.

ARCHITECTS:- **plan india group**
ARCHITECTURE, LANDSCAPE, INTERIOR DESIGN, & PLANNING
A-80, RAIL NAGAR, SECTOR-50, NOIDA 201301
M: No. 98100-62882
email:- planindia@rediffmail.com

TITLE:- **BASEMENT PLAN PLUMBING SUBMISSION DRAWING**

24/07/2025 PL-01
DATE DRG. NO.



PLUMBING LEGEND: -

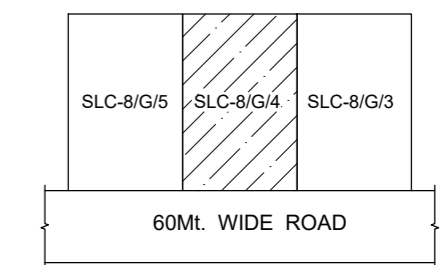
S.NO.	SYMBOL	DESCRIPTION
①	●	110 OD SOIL PIPE
②	●	110 OD WASTE PIPE
①A	●	160 OD SOIL PIPE
②A	●	160 OD WASTE PIPE
③	●	COLD WATER SUPPLY PIPE (CWS)
④	●	FLUSHING WATER SUPPLY PIPE (FWS)
⑤	●	32Ø COLD WATER RISER PIPE (CWR)
⑥	●	32Ø FLUSHING WATER RISER PIPE (FWR)
⑦	●	160 OD RAIN WATER PIPE
FT	⊙	FLOOR TRAP
FD	⊙	FLOOR DRAIN

PLUMBING LEGEND: -

—	SOIL PIPE LINE
—	WASTE PIPE LINE
(CWS)	COLD WATER SUPPLY
(FWS)	FLUSHING WATER SUPPLY
(HWS)	HOT WATER SUPPLY
⊙	CISTERN WITH ANGLE VALVE
HF	HEALTH FAUCET
⊗	VALVE
●	GEYSER

- ▨ F.A.R. AREA
- ▨ NON F.A.R. AREA
- ▨ 15% SERVICE AREA

PLOT NO.-70 TO 76



KEY PLAN

FOR SANCTION

PROJECT:-

PROPOSED LAYOUT OF
COMMERCIAL COMPLEX FOR
SUKADIV PROJECTS LLP.
AT PLOT No. SLC-8/G/4, DELTA-2, GREATER NOIDA.

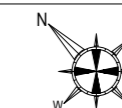
ARCHITECTS :-

plan india group

ARCHITECTURE, LANDSCAPE,
INTERIOR DESIGN, & PLANNING
A-80, RAIL NAGAR, SECTOR-50, NOIDA 201301
Mb. No. 98100-62882
email:- planindiagroup@rediffmail.com

TITLE :-

TOILET DETAIL
(MIRROR & TYP.)
PLUMBING DRAWING



28/07/2025

PL-19

DATE

DRG.NO.