

FLOOR	AREA	PARKING	UNIT
ON FIRST FLOOR	1 = 94.22 sqm	1 E.C.S	1
	2 = 92.26 sqm	1 E.C.S	1
	3 = 95.59 sqm	1 E.C.S	1
	4 = 99.99 sqm	1 E.C.S	1
	5 = 105.90 sqm	1.25 E.C.S	1
	6 = 83.45 sqm	1 E.C.S	1
	7 = 83.45 sqm	1 E.C.S	1
	8 = 93.98 sqm	1 E.C.S	1
	9 = 78.50 sqm	1 E.C.S	1
	10 = 94.26 sqm	1 E.C.S	1
ON 2ND FLOOR	1 = 94.22 sqm	1 E.C.S	1
	2 = 92.26 sqm	1 E.C.S	1
	3 = 95.59 sqm	1 E.C.S	1
	4 = 99.99 sqm	1 E.C.S	1
	5 = 105.90 sqm	1.25 E.C.S	1
	6 = 83.45 sqm	1 E.C.S	1
	7 = 83.45 sqm	1 E.C.S	1
	8 = 93.98 sqm	1 E.C.S	1
	9 = 78.50 sqm	1 E.C.S	1
	10 = 94.26 sqm	1 E.C.S	1
ON 3RD FLOOR	1 = 94.22 sqm	1 E.C.S	1
	2 = 92.26 sqm	1 E.C.S	1
	3 = 95.59 sqm	1 E.C.S	1
	4 = 99.99 sqm	1 E.C.S	1
	5 = 105.90 sqm	1.25 E.C.S	1
	6 = 83.45 sqm	1 E.C.S	1
	7 = 83.45 sqm	1 E.C.S	1
	8 = 93.98 sqm	1 E.C.S	1
	9 = 78.50 sqm	1 E.C.S	1
	10 = 94.26 sqm	1 E.C.S	1
ON 4TH FLOOR	1 = 94.22 sqm	1 E.C.S	1
	2 = 92.26 sqm	1 E.C.S	1
	3 = 95.59 sqm	1 E.C.S	1
	4 = 99.99 sqm	1 E.C.S	1
	5 = 105.90 sqm	1.25 E.C.S	1
	6 = 83.45 sqm	1 E.C.S	1
	7 = 83.45 sqm	1 E.C.S	1
	8 = 93.98 sqm	1 E.C.S	1
	9 = 78.50 sqm	1 E.C.S	1
	10 = 94.26 sqm	1 E.C.S	1
ON 5TH FLOOR	1 = 94.22 sqm	1 E.C.S	1
	2 = 92.26 sqm	1 E.C.S	1
	3 = 95.59 sqm	1 E.C.S	1
	4 = 99.99 sqm	1 E.C.S	1
	5 = 105.90 sqm	1.25 E.C.S	1
	6 = 83.45 sqm	1 E.C.S	1
	7 = 83.45 sqm	1 E.C.S	1
	8 = 93.98 sqm	1 E.C.S	1
	9 = 78.50 sqm	1 E.C.S	1
	10 = 94.26 sqm	1 E.C.S	1
ON 6TH FLOOR	1 = 94.22 sqm	1 E.C.S	1
	2 = 92.26 sqm	1 E.C.S	1
	3 = 95.59 sqm	1 E.C.S	1
	4 = 99.99 sqm	1 E.C.S	1
	5 = 105.90 sqm	1.25 E.C.S	1
	6 = 83.45 sqm	1 E.C.S	1
	7 = 83.45 sqm	1 E.C.S	1
	8 = 93.98 sqm	1 E.C.S	1
	9 = 78.50 sqm	1 E.C.S	1
	10 = 94.26 sqm	1 E.C.S	1
ON 7TH FLOOR	1 = 94.22 sqm	1 E.C.S	1
	2 = 92.26 sqm	1 E.C.S	1
	3 = 95.59 sqm	1 E.C.S	1
	4 = 99.99 sqm	1 E.C.S	1
	5 = 105.90 sqm	1.25 E.C.S	1
	6 = 83.45 sqm	1 E.C.S	1
	7 = 83.45 sqm	1 E.C.S	1
	8 = 93.98 sqm	1 E.C.S	1
	9 = 78.50 sqm	1 E.C.S	1
	10 = 94.26 sqm	1 E.C.S	1
ON 8TH FLOOR	1 = 94.22 sqm	1 E.C.S	1
	2 = 92.26 sqm	1 E.C.S	1
	3 = 95.59 sqm	1 E.C.S	1
	4 = 99.99 sqm	1 E.C.S	1
	5 = 105.90 sqm	1.25 E.C.S	1
	6 = 83.45 sqm	1 E.C.S	1
	7 = 83.45 sqm	1 E.C.S	1
	8 = 93.98 sqm	1 E.C.S	1
	9 = 78.50 sqm	1 E.C.S	1
	10 = 94.26 sqm	1 E.C.S	1

**IMPACT DETAIL**  
 AS PER MAHA YOUNA 2021  
 PAGE NO 57 POINT NO 4 HOTEL IS EXEMPTED FOR IMPACT CHARGE  
 AS PER GO NO 82/2015-1581 VIDEH (14 DATED 04/08/2015)  
 COMMERCIAL AREA IS ALLOWED IN MIX RESIDENTIAL LAND USE UP TO 10% OF F.A.R.  
 OFFICES AREA IS ALLOWED IN MIX RESIDENTIAL LAND USE UP TO 15-20% OF F.A.R.  
 5% COMMERCIAL AREA & OFFICES AREA IS ALLOWED IN TOTAL LAND AREA WITH OUT IMPACT CHARGE

**PARK DETAIL**  
 PARK AREA = 940.00 SQ.MT  
 NO OF TREES REQUIRED 500/1000/55-51.33 NOS  
 10000  
 PROPOSED TREES = 32 NOS.

**DENSITY**  
 AS PER GROUP HOUSING BY LAWS 2004/2011  
 1000 SQ.MT = 20 UNIT PERMISSIBLE  
 606.50 SQ.MT = 12 UNIT PERMISSIBLE  
 10000 SQ.MT = 100 UNIT PERMISSIBLE

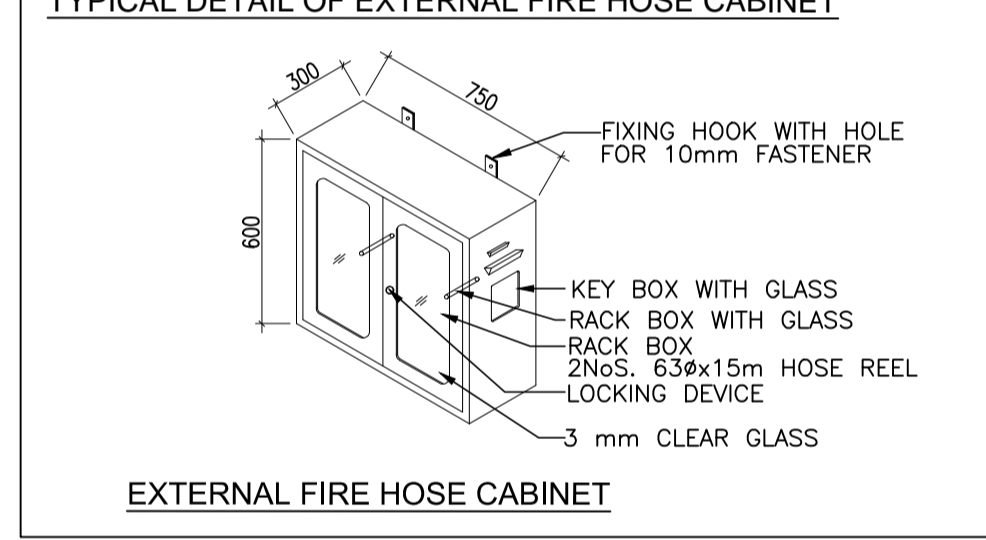
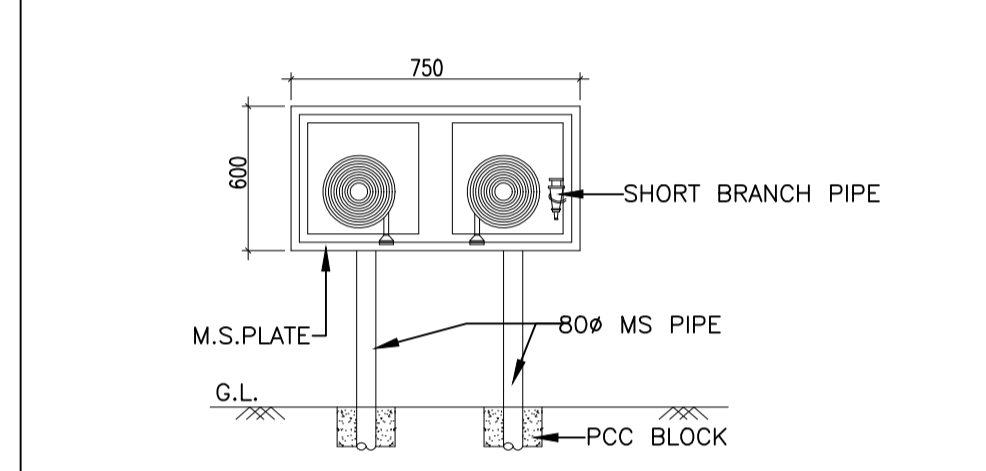
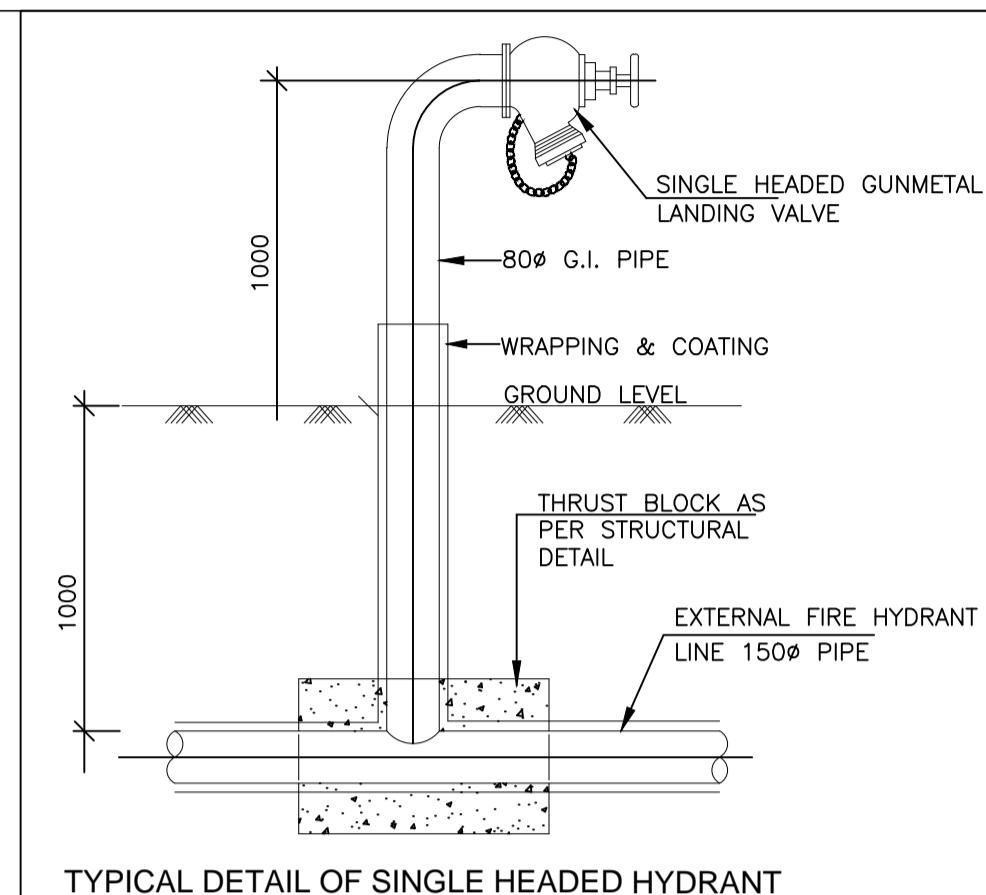
**PARKING CALCULATION**  
 PROVIDE PARKING BLOCK A  
 BASEMENT = 1869.00/20 = 93.45 E.C.S  
 STILT FLOOR = 1234.00/20 = 61.70 E.C.S  
 PROVIDE PARKING FOR BLOCK B OPEN  
 PARKING SPACE (A) = 22.80/2 = 11.40 E.C.S  
 PARKING SPACE (B) = 22.80/2 = 11.40 E.C.S  
 PARKING SPACE (C) = 12.60/2 = 6.30 E.C.S  
 PARKING SPACE (D) = 27.72/2 = 13.86 E.C.S  
 PARKING SPACE (E) = 22.75/2 = 11.37 E.C.S  
 TOTAL E.C.S AVAILABLE 148.45 E.C.S

**REQUIRED E.C.S**  
 COMMERCIAL ACTIVITY AREA = 1268.00 SQ.MT/100.00 SQ.MT = 12.68 E.C.S  
 OFFICE ACTIVITY AREA = 634.40 SQ.MT/20.00 SQ.MT = 31.72 E.C.S  
 HOTEL RESTAURANT = 634.40 SQ.MT/11.00 SQ.MT = 57.67 E.C.S  
 HOTEL - ROOM = 32 NOS (E.C.S PER 2 ROOMS) = 16.00 E.C.S  
 6780 sqm/100 sqm @ 1 E.C.S = 67.80 E.C.S  
 1181 up to 100 sqm @ 1.25 E.C.S = 14.76 E.C.S  
 10% FOR VISITOR = 6.00 E.C.S  
 TOTAL REQUIRED = 138.83 E.C.S

**S.D.A. SHEET NO.-1**

**FIRE FIGHTING LEGEND:-**

— F —	150 DIA M.S EXTERNAL FIRE HYDRANT PIPE	
— SP —	150 DIA M.S SPRINKLER PIPE	
● YH	YARD HYDRANT	
■ EFH	EXTERNAL FIRE HOSE CABINET	
DP	FIRE PUMP DIESEL	2280 LPM,70M HEAD
HP	FIRE HYDRANT PUMP ELEC.	2280 LPM,70M HEAD
SP	FIRE SPRINKLER PUMP ELEC.	2280 LPM,70M HEAD
JP	FIRE JOCKEY PUMP ELEC.	180 LPM,70M HEAD
PV	PRESSURE VESSEL	



**PROPOSED RESIDENTIAL & COMMERCIAL BUILDING PLANAT KHASRA NO 109 K.M STONE 159.285 DELHI- YAMNOTRI MARG IN VILLAGE MILAK WAJUDDUINPUR SAHARANPUR**

**S.N COVERED AREA RESIDENTIAL (CHART -A)**

1. FIRST FLOOR	1078.50 SQ.MT
4. SECOND FLOOR	1078.50 SQ.MT
5. THIRD FLOOR	1078.50 SQ.MT
6. FOURTH FLOOR	1078.50 SQ.MT
7. FIFTH FLOOR	1078.50 SQ.MT
8. SIXTH FLOOR	1078.50 SQ.MT
9. SEVENTH FLOOR	1451.28 SQ.MT
10. EIGHT FLOOR	586.72 SQ.MT
11. NINTH FLOOR	586.72 SQ.MT
12. TOTAL COVERED AREA	8519.00 SQ.MT

**AREA CHART - B**

**S.N COVERED AREA (COMMERCIAL+OFFICE+HOTEL)**

1. GROUND FLOOR (COMMERCIAL)	634.40 SQ.MT=4.76%
2. FIRST FLOOR COMMERCIAL	634.40 SQ.MT=4.76%
3. SECOND FLOOR (OFFICE)	634.40 SQ.MT=4.76%
4. THIRD FLOOR HOTEL REST.	634.40 SQ.MT=4.76%
5. FOURTH FLOOR HOTEL SUITE	634.40 SQ.MT=4.76%
6. FIFTH FLOOR HOTEL SUITE	634.40 SQ.MT=4.76%
TOTAL AREA	3731.40 SQ.MT

**AREA CHART -C**

1. BASEMENT	1863.00 SQ.MT
2. STILT FLOOR	1234.00 SQ.MT
3. SERVICE FLOOR	634.40 SQ.MT
TOTAL AREA	3731.40 SQ.MT

**AREA STATEMENT**

DETAIL OF AREA OLD	4931.34 SQ.MT
ADD. LAND AREA	1547.66 SQ.MT
TOTAL AREA OF LAND	6479.00 SQ.MT
ROAD WINDING AREA	212.45 SQ.MT
NET PLOT AREA	6266.55 SQ.MT
PARK AREA 15%	940.00 SQ.MT
NET PLOT AREA	5326.55 SQ.MT
COVERED AREA- CHART (A+B+C)	16056.80 SQ.MT
MUMMITY AREA	0064.00 SQ.MT
TOTAL COVERED AREA	16120.80 SQ.MT
COVERAGE	34.97 %

**F.A.R. AREA OF (A+B) = 12325.40 SQ.MT/5326.55 SQ.MT = 2.31**

**WASTE DISPOSAL PLAN**

OWNER: MR. SHIV PURAN GULATI

MR. SUBODH GULATI

ADV Architects Pvt.Ltd.

STRUCTURE ENGINEER: ADITYA

Scale: Project No: ADV\_177004 Rev: 16.05.2018 Drawing No: FF/01 Drawn By: SPHURTI Checked By: ADITYA Drawing Status: