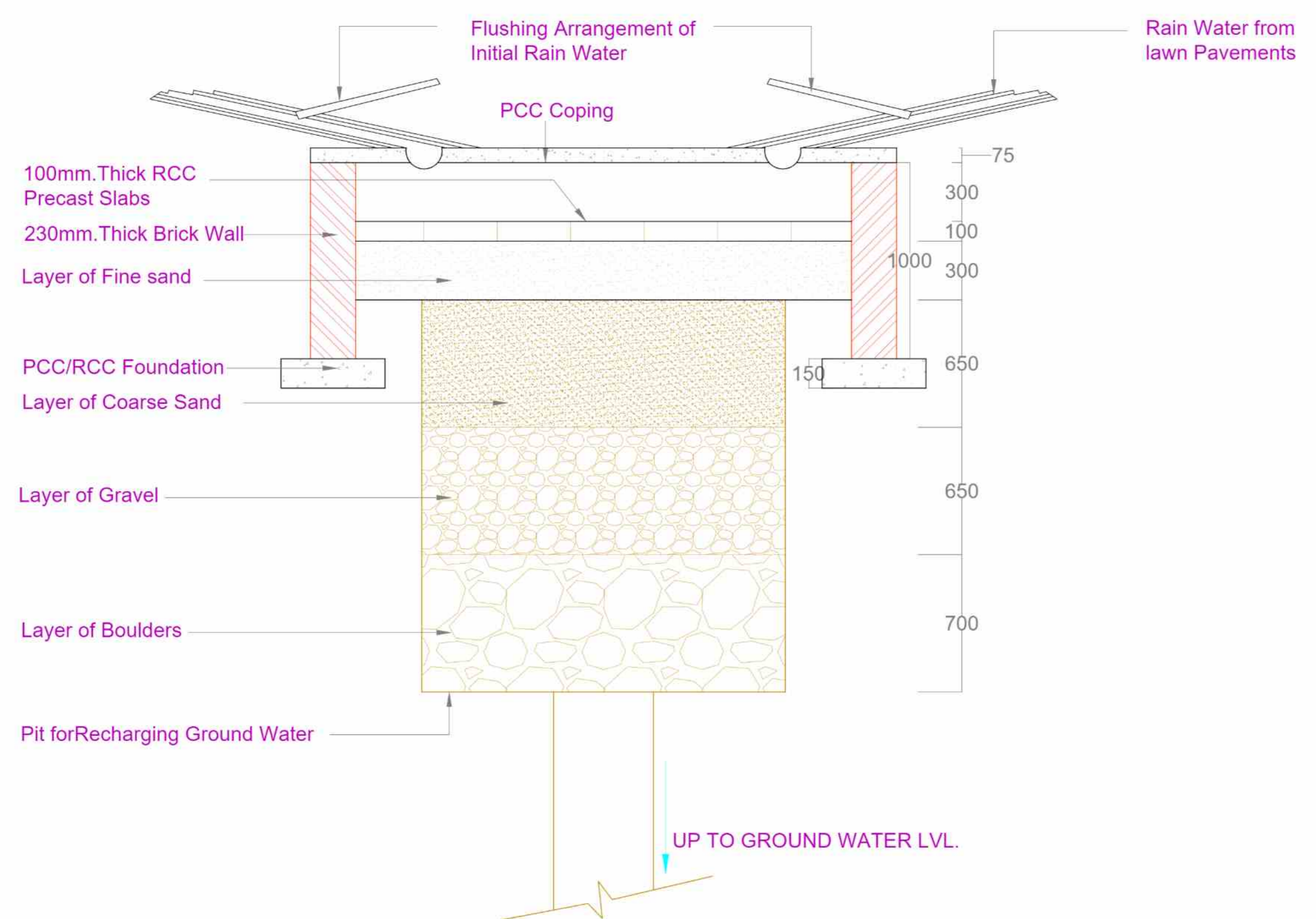
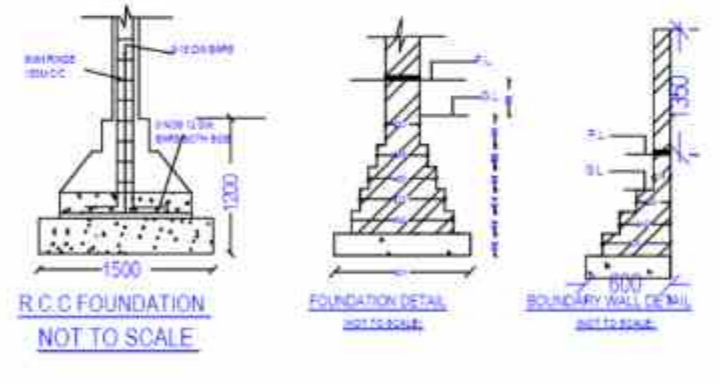
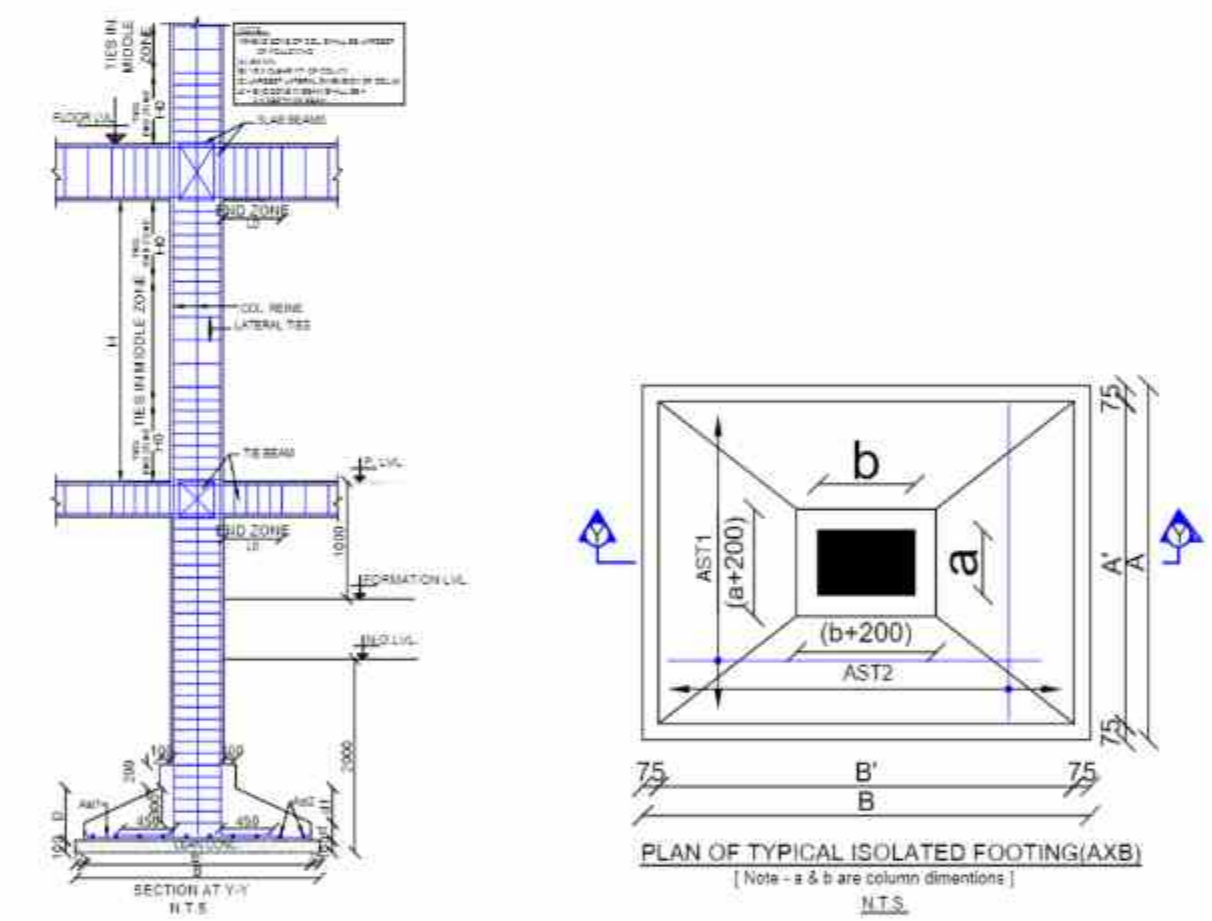


RAIN WATER HARVESTING
NOT TO SCALE



RAIN WATER HARVESTING
NOT TO SCALE



Note: - 1) This drawing is prepared as per the current prevailing Building Bye Laws.
2) If Map sanctioned is used for purpose anything other than stated in application will lead to rejection of Map.

Total Plot Area: -	4156.05	Total FAR Area: -	13280.32
Total Coverage Area: -	1023.99	Total BUA Area: -	19324.06

OWNER'S NAME AND SIGNATURE	
SHIVANI BUILDERS PVT LTD.SQHEIGHTS22@GMAIL.COM.6335233401	
ARCH ENGR'S NAME AND SIGNATURE	IE ENGINEER
AVINASH VERMA CA/2018/74985	
Uttar Pradesh Housing Board & Development Br.	
	
Building Plan Application Number UPAVP-BP-22-23-0705	
Sanctioned On 04-Sep-2023	
Valid Till 12-Sep-2028	
Approved By Ranvir Prasad (Housing Commissioner)	
Examined By Sumil Kumar Arora (Executive engineer)	
Vikram Singh Guatam (Architectural Assistant)	
Krishna Kant (Assistant Architect Planner)	
Vikram Singh Guatam (Architectural Assistant)	
Krishna Kant (Assistant Architect Planner)	
VIKAS KUMAR (Architect planner)	