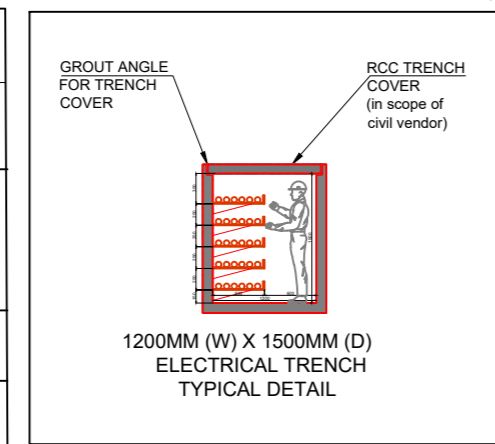


**LEGEND :-**

S. No.	SYMBOL	DESCRIPTION
1		90 W LED POLE LIGHT
2		FEEDER PILLER
3		LOOPING



**Architect**  
**Hafeez**  
**Contractor**  
 29 Bank Street, Mumbai 400 023. Tel:+91 22 22661920

PROJECT:-  
 PROPOSED BUILDING PLANS OF GROUP HOUSING-18 SCHEME AT VIBHUTI KHAND, GOMTI NAGAR, LUCKNO, UTTAR PRADESH-226010

OWNER:  
**ABHYUDAYA HOUSING & CONSTRUCTIONS (Pvt) Ltd.**

DRG.TITLE:-  
**SITE PLAN ELECTRICAL SPACE PLANNING**

DRG NO:-  
**PDA-ELE-01**

SCALE:-  
 1:150

DATE:-  
 08.10.2024

DEALT BY:-  
 R.N.

SIGNATURE & SEAL OF ARCHITECT:-

JOB NO:-

APPROVED BY:  
 A.A

CHECKED BY:-  
 H.A.

SIGNATURE & SEAL OF OWNER:-

REVISION

NORTH:-