

EXISTING/ PROPOSED RESIDENTIAL APARTMENT BUILDING PLAN ON ARAZI NO. 1325 Part., 1328, 1329, 1345, 1346, 1347, 1348 & 1353 Part VILLAGE- BARA SIROHI, SHIWLI ROAD DIST. - KANPUR (UP)

PRAMOTER
 Pace Infratech Pvt. Ltd.
 113 Swaroop Nagar Kanpur

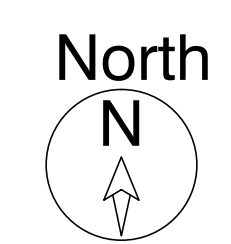
PRAMOTER/OWNER SIGN :

OWNED BY :
 Mr. Ashok Kumar, Mr. Anil Kumar, Mr. Ajay Kumar,
 All Sons of Late Gaya Prasad, Mr. Rajesh Dwivedi,
 Mr. Rakesh Dwivedi, Mr. Mahesh Dwivedi, Mr.
 Mukesh Dwivedi, Mr. Naresh Dwivedi, Mr. Akhilesh
 Dwivedi, All Sons of Late Kanti Prasad
 All R/O House No. 106, Bara Sirohi IIT Kanpur
 Nagar,
 Pace infratech. pvt. ltd. Shukla Add.
 Add. 113 Swaroop Nagar Kanpur

ENGINEER'S SIGN/ ARCHITECT'S SIGN

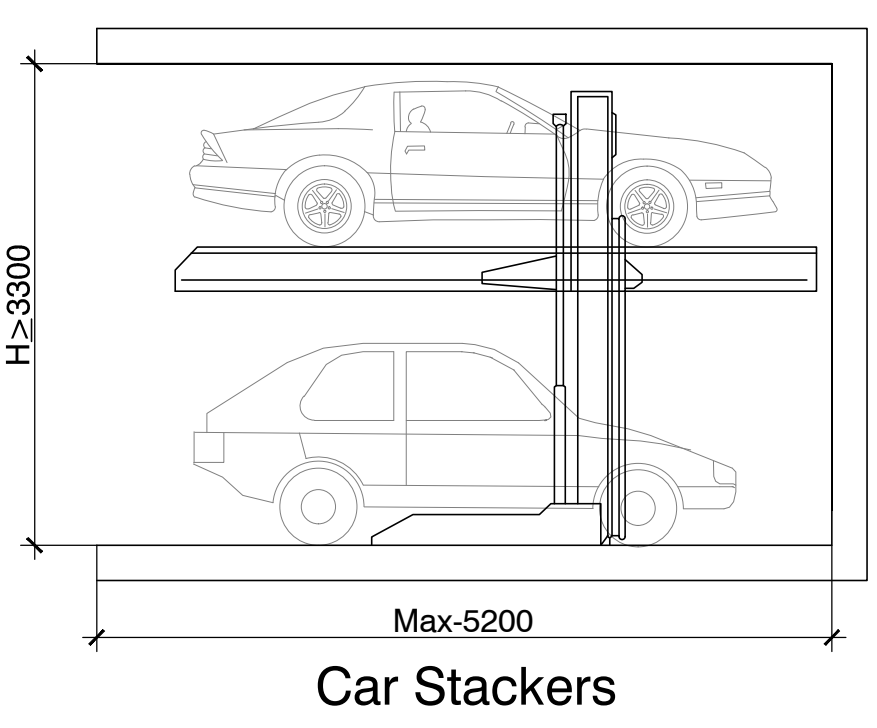
PAVAN & ASSOCIATES
 HIG 21, Mukharji Vihar Indira Nagar Kanpur
 208024
 Phone No. 08090823823

Scale - 1:200



DRW. No. - 1/1

Drawing Title - Electrical Supply Plan



To Jawahar Puram 7.21M Wide Existing Road To New Shivli