


PROJECT
 REVISED "SAMAJWADI YOJNA" AT SEC-20,
 VRINDAVAN YOJNA, RAEBARELI ROAD,
 LUCKNOW

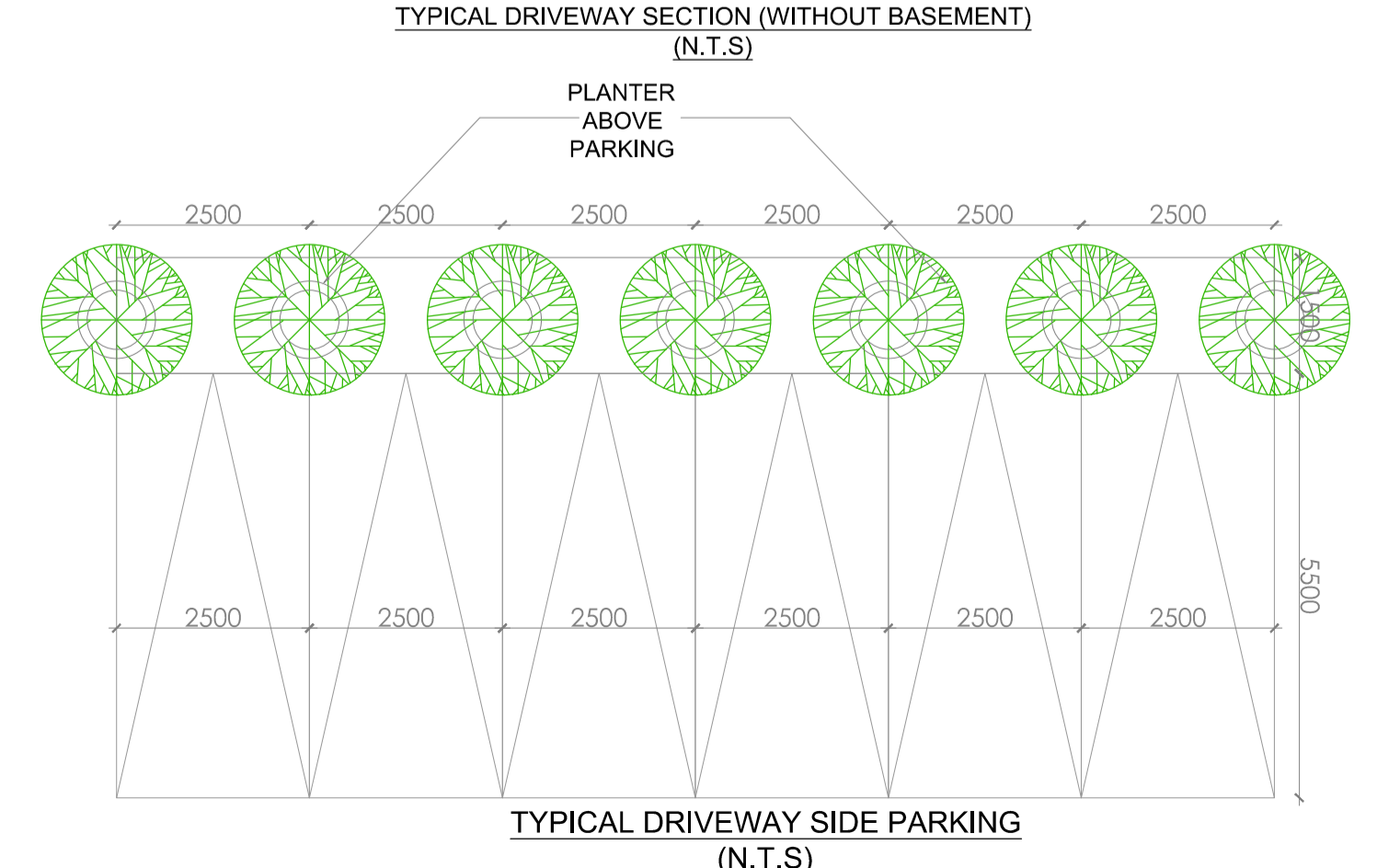
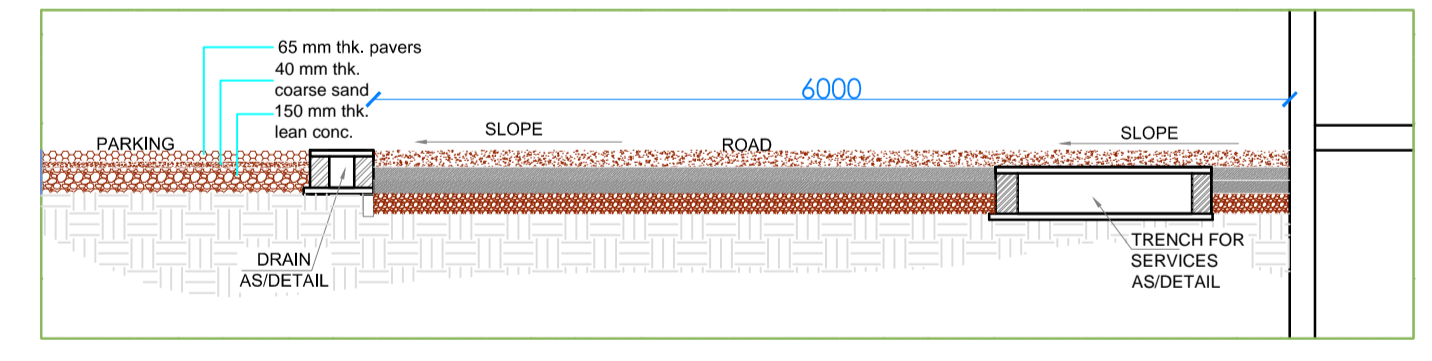
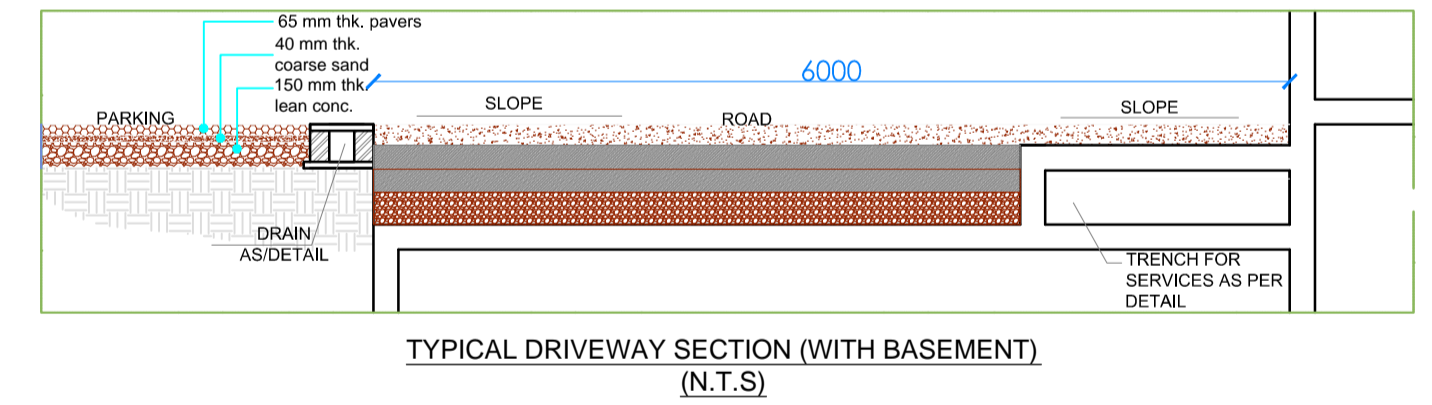
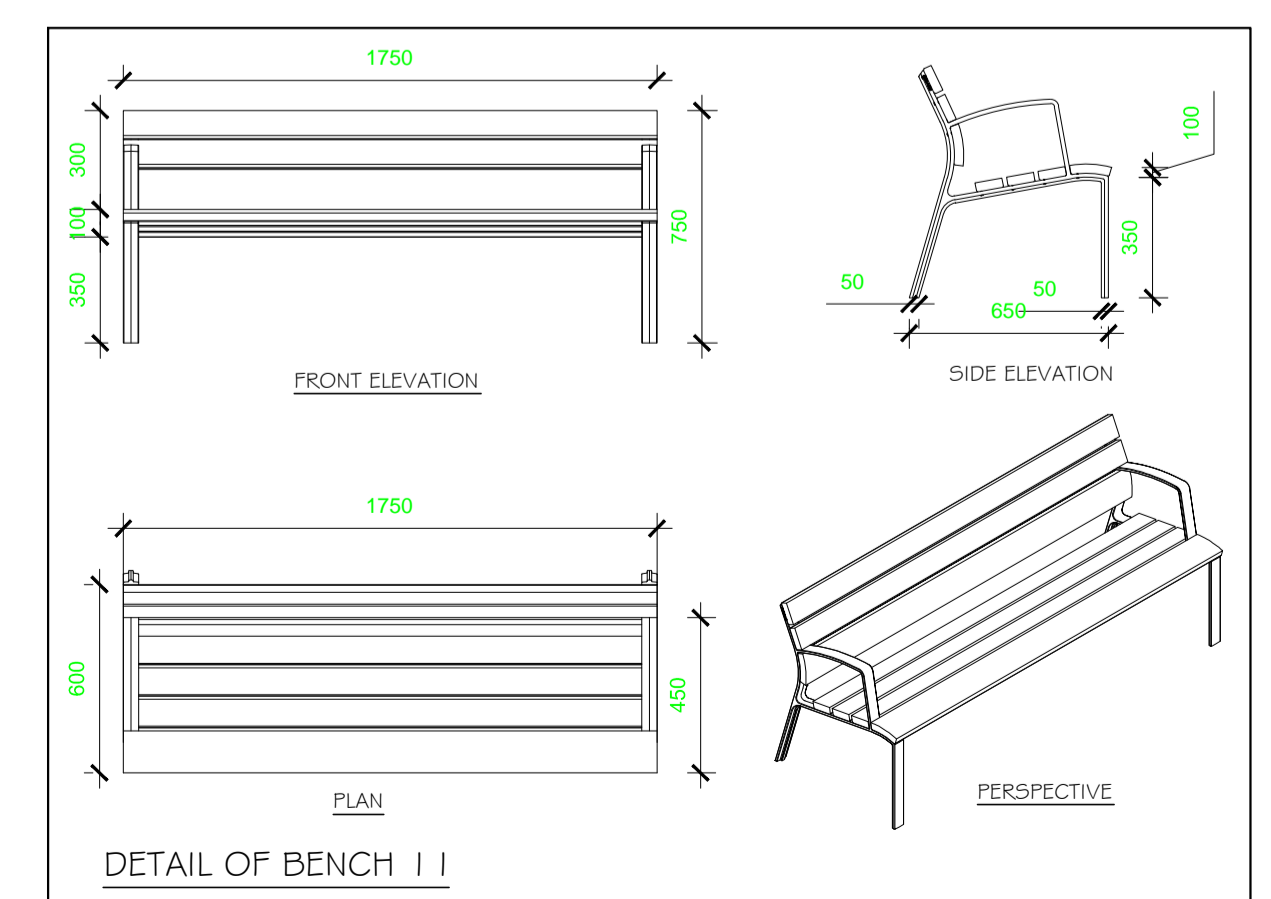
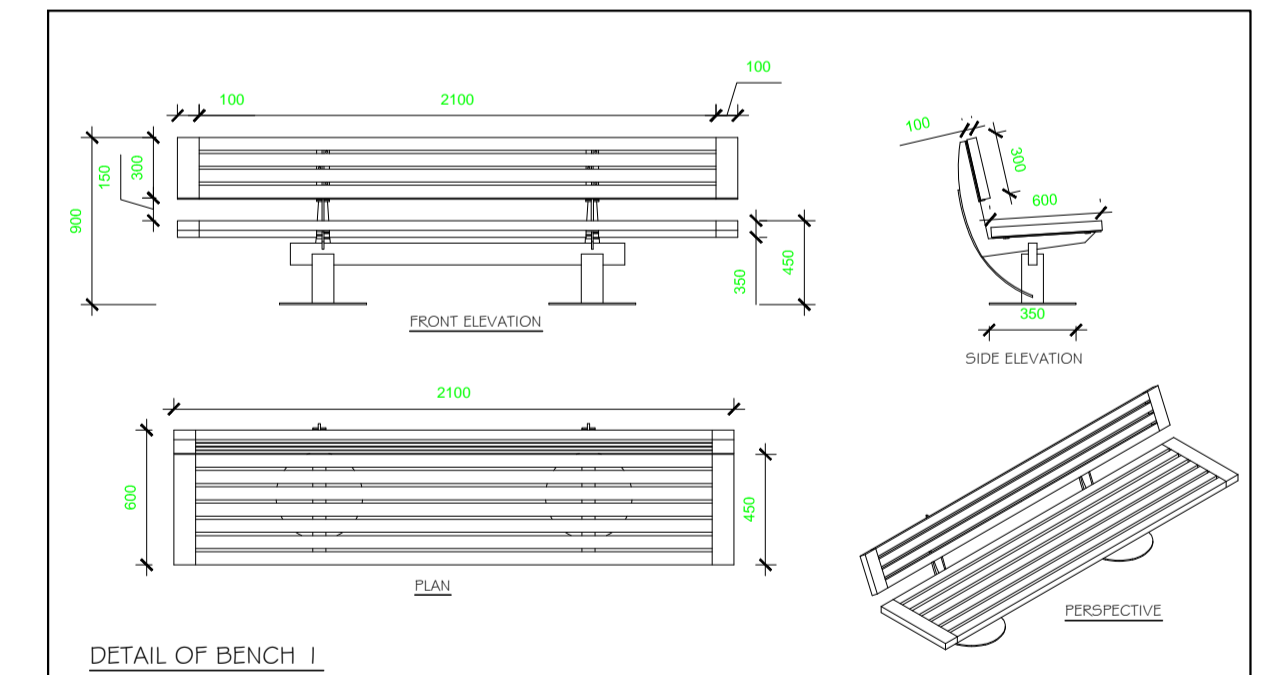
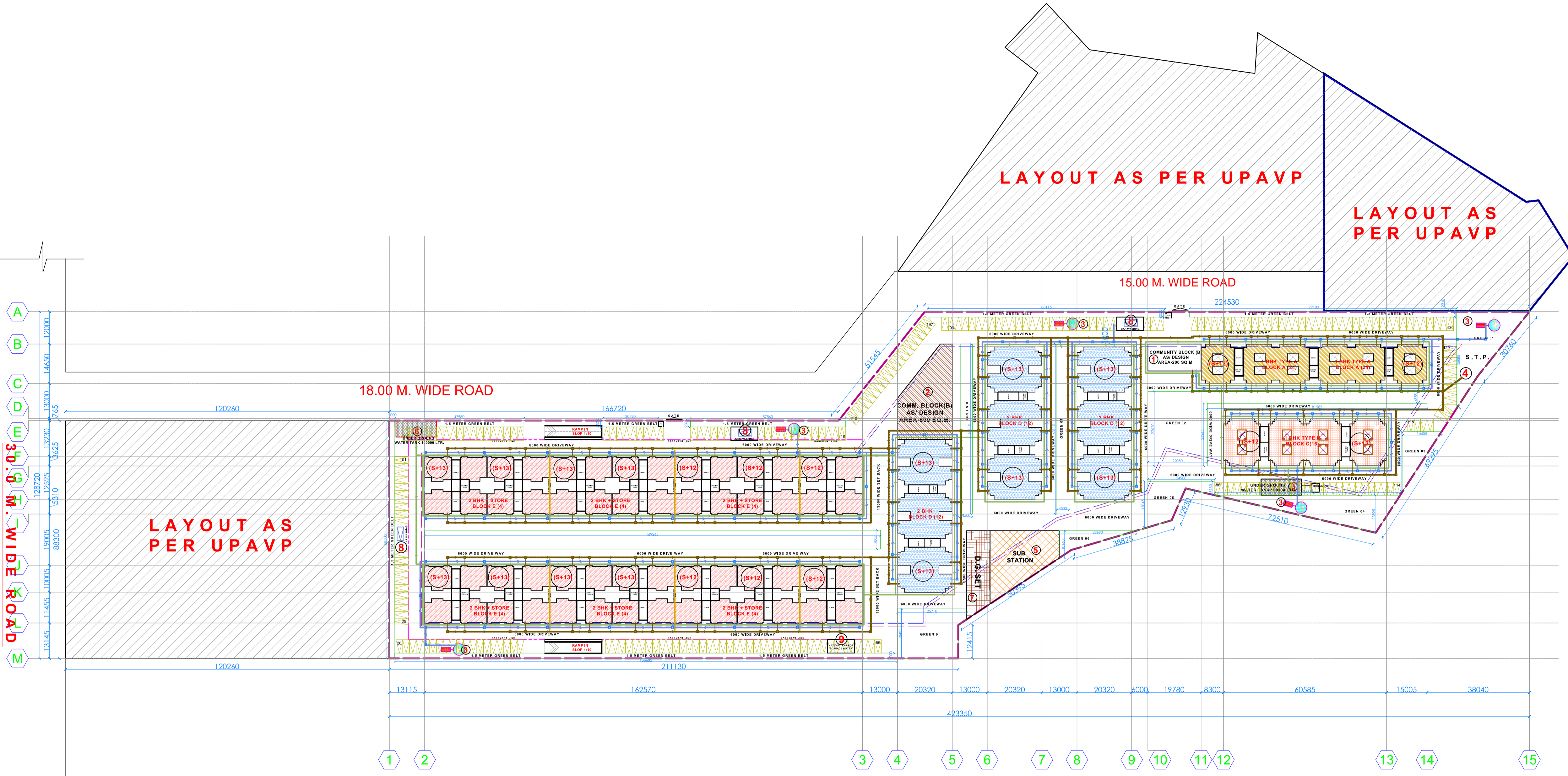
SERVICES PLAN & DETAILS

DATE	SCALE	REVISION	SHEET NO.
20/10/15	N.T.S.	R2	1A
DRAWING NO.	SHEET SIZE		
	A1		

NOTE

- ALL DIMENSIONS ARE IN METERS.
- NO DIMENSION TO BE SCALED FROM THE DRAWINGS WRITTEN DIMENSIONS TO BE FOLLOWED.
- IN CASE OF DISCREPANCIES LARGE SCALE DETAILED DRAWINGS SHALL SUPERSEDE SMALLER SCALE DRAWINGS AND DISCREPANCIES IN THE DRAWINGS ARE TO BE BROUGHT TO THE NOTICE OF THE ARCHT. IT IS GOT TO BE RECTIFIED BEFORE TENDERING.
- ALL SERVICES DWGS TO BE REFERRED ONLY FOR THE TECHNICAL CONTENTS TO ORIGINATED WORKING DRAWINGS TO BE FOLLOWED FOR A WORK AT SITE.
- ALL STRUCTURAL, SEES AND STRUCTURAL DETAILS TO BE REFERRED FROM DRAWINGS OF STRUCTURAL CONSULTANTS.

KEY PLAN



LEGEND FOR SERVICES PLAN-

- RAIN WATER HARVESTING LINE
- WATER SUPPLY LINE
- SEWER LINE

architect's avenue
 D-2/122, Sambhav Tower, Vibhuti
 Khand Gomti Nagar, Lucknow, U.P.

ARCHITECT

ASSTT. ARCH. PLANNER

ARCHITECT PLANNER

CHIEF ARCHITECT PLANNER
SHAHABUDDIN MOHAMMAD
 I.A.S.
 AVAS AYUKT