

LEGEND : (Plumbing)

S.No.	SYMBOL	DESCRIPTION
1.	Ⓢ	110 mm OD uPVC SOIL AND VENT PIPE
2.	Ⓜ	110mm OD uPVC WASTE AND VENT PIPE
3.	Ⓒ	COLD WATER SUPPLY PIPE FOR UP. GROUND FLOOR
4.	Ⓟ	250 COLD WATER RISER PIPE TO FILL O.H.T
5.	Ⓡ	110mm OD uPVC RAIN WATER PIPE
6.	Ⓡ	75mm OD uPVC RAIN WATER PIPE FOR BALCONY
7.	BD	BALCONY DRAIN
8.	ⓧ	ISOLATING VALVE
9.	FT	FLOOR TRAP WITH GRATING
10.	Ⓜ	MANHOLE 600mm X 600mm INTERNAL SIZE
11.	Ⓜ	GULLY TRAP 300mm X 300mm INTERNAL SIZE
12.	Ⓜ	CATCH BASIN 450mm X 450mm INTERNAL SIZE

- NOTES : (Plumbing)**
- COLD/HOT WATER SUPPLY PIPE MATERIAL
 - a) FOR INSIDE TOILET - CPVC PIPES AND FITTINGS (SDR-11)
 - b) FOR SHAFT / TERRACE - CPVC PIPES AND FITTINGS (SDR-11)
 - SOIL / WASTE / VENT / RAIN WATER PIPE MATERIAL
 - a) UPTO 65 MM DIA PIPE - UPVC (6 KG/SQ.CM) AS PER IS : 4985 (SUITABLE FOR SOLVENT CEMENT JOINT)
 - b) 75/ 90/ 110/ 160 MM DIA PIPE (FOR VERTICAL PIPE) - UPVC SWR (TYPE B) AS PER IS : 13592 & IS : 14735 (SUITABLE FOR SOLVENT JOINT)
 - c) 75/ 90/ 110/ 160 MM DIA PIPE (FOR HORIZONTAL PIPE) - UPVC SWR (TYPE B) AS PER IS : 13592 & IS : 14735 (SUITABLE FOR SOLVENT JOINT)
 - ALL THE FLOOR TRAPS WHICH ARE DIRECTLY CONNECTED TO PIPE AND MANHOLE SHALL STRICTLY BE OF DEEP SEAL TYPE (50 MM SEAL).
 - THE SLOPE OF TERRACE FROM RIDGE LINE TOWARDS RAIN WATER PIPES SHALL BE 1 IN 150.
 - NO PIPE SHALL DAMAGE THE COLUMN AND BEAM
 - DRAINAGE PIPE FROM UTILITY BALCONY (WHICH HAS WASHING MACHINE) SHALL BE CONNECTED TO THE GULLY TRAP AT GROUND
 - ALL BRANCH CONNECTION FROM SOIL, WASTE & RAIN WATER DOWN TAKE SHALL BE THROUGH Y PIECE ONLY. NO T CONNECTION ALLOWED.

LEGEND FOR PIPE DIAMETER

110 mm OD PVC SOIL PIPE FROM WC CONNECTION TO SOIL STACK
110 mm OD PVC WASTE PIPE FROM FLOOR TRAP CONNECTION TO WASTE STACK
40 mm OD PVC WASTE PIPE FROM FLOOR DRAIN CONNECTION TO FLOOR TRAP
40 mm OD PVC WASTE PIPE FROM WASH BASIN CONNECTION TO FLOOR TRAP
160mm OD uPVC PIPE FROM GULLY TRAP TO MANHOLE
160mm OD uPVC PIPE FROM MANHOLE TO MANHOLE
160 mm OD uPVC PIPE CATCH BASIN TO CATH BASIN.

ALL PIPE DIAMETERS ARE IN MM UNLESS AND OTHERWISE SPECIFIED.

APPROVED BY

DEPARTMENT	STAMP
ARCHITECTURE	
STRUCTURE	
SERVICES	
LANDSCAPE	

PROJECT: **HI-TECH CITY LUCKNOW**



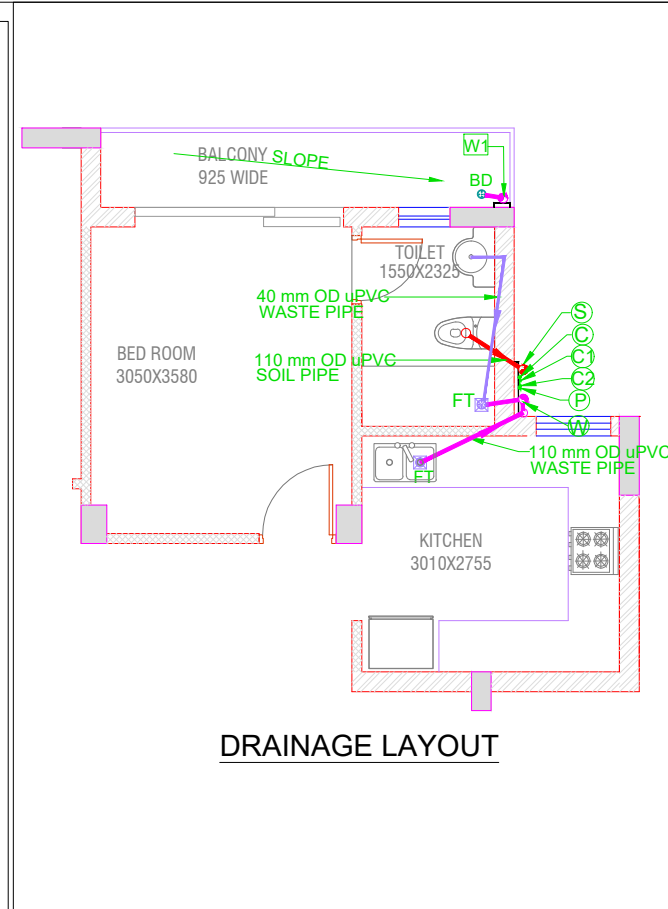
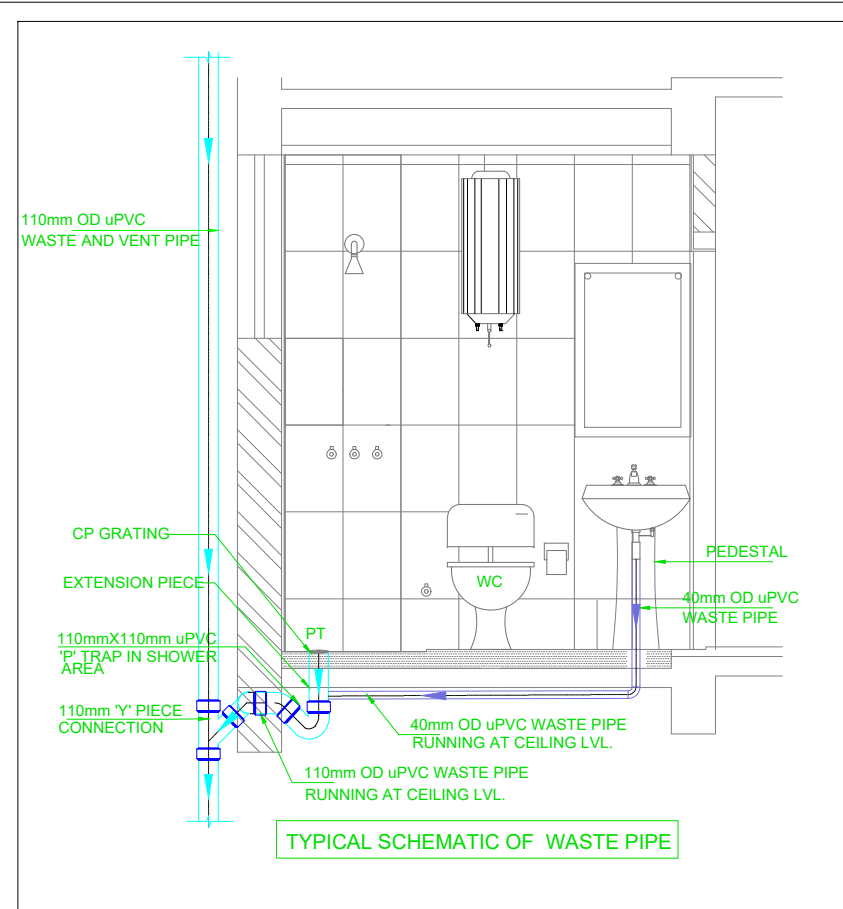
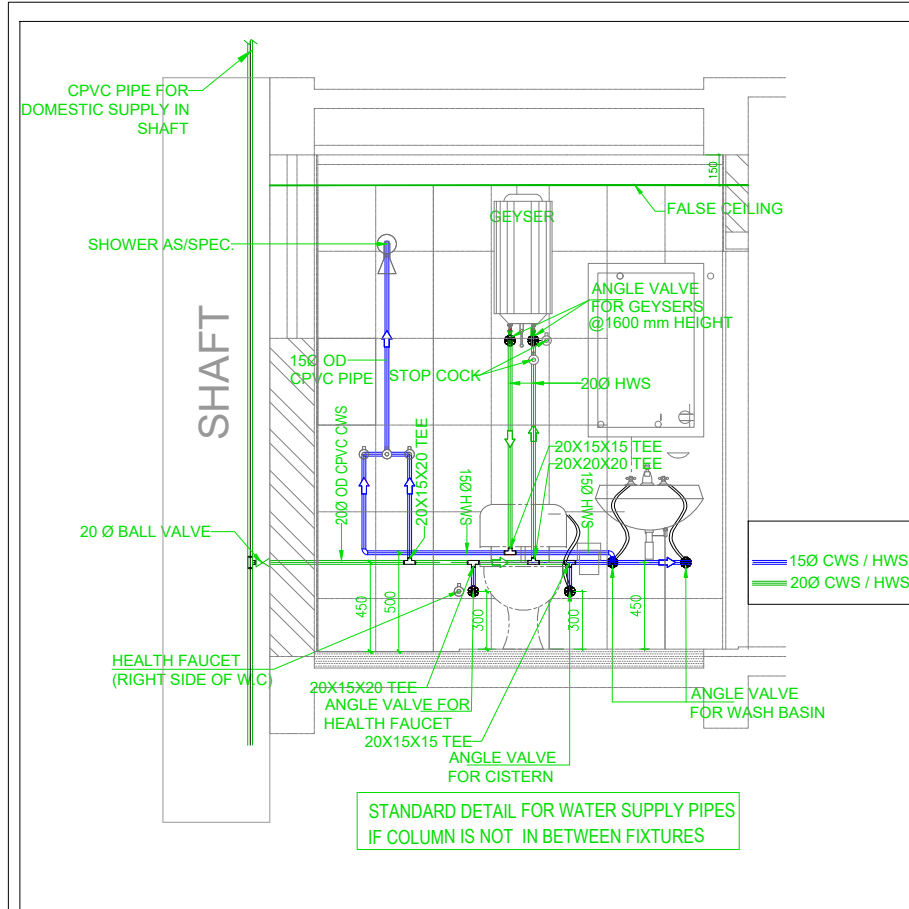
9.5X16 VILLA
48,51,71 TO 76,79,97,100,101,118,119,154 & 157

DRG. NO. LKO/HI-TECH/9.5X16. VILLA/PHE/06

DRG. TITLE
**9.5 X 16 VILLA
WATER SUPPLY SLD**

SCALE:	DATE (RO):	REVISION RO:	REV. DATE:

THIS DRAWING IS THE SOLE PROPERTY OF OMAXE LTD. USE OF THIS DRAWING FOR ANY PURPOSE OTHER THAN THAT MENTIONED TO BE DONE ONLY AFTER THEIR PRIOR APPROVAL.



General Notes

THIS DWG IS THE PROPERTY OF M/S OMAXE LTD. IT IS NOT TO BE USED FOR ANY PURPOSE OTHER THAN FOR WHICH IT IS ISSUED FOR.

NOTES:

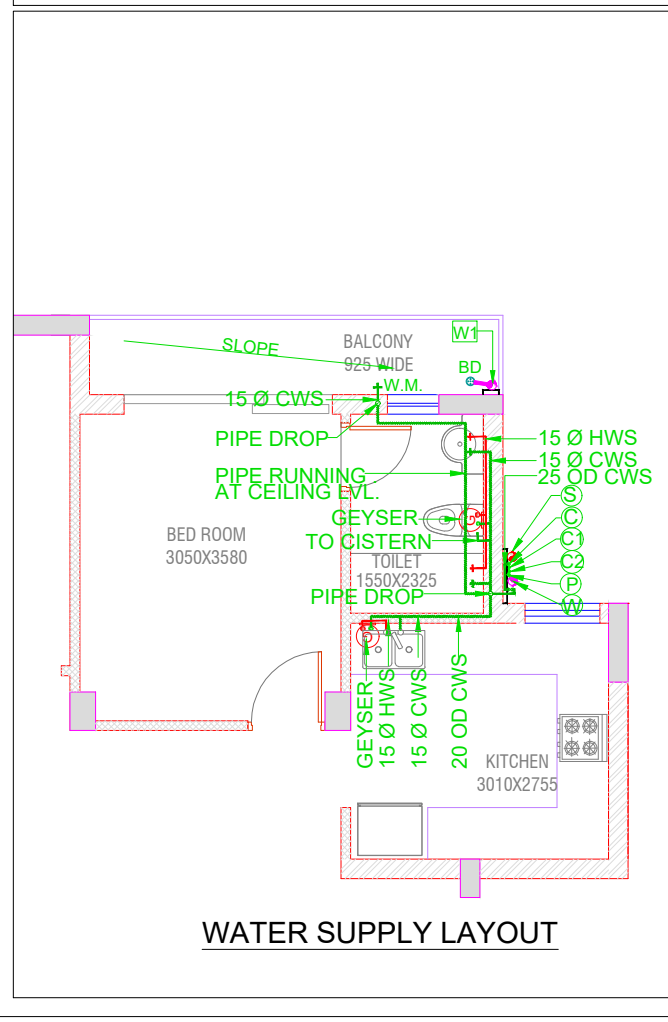
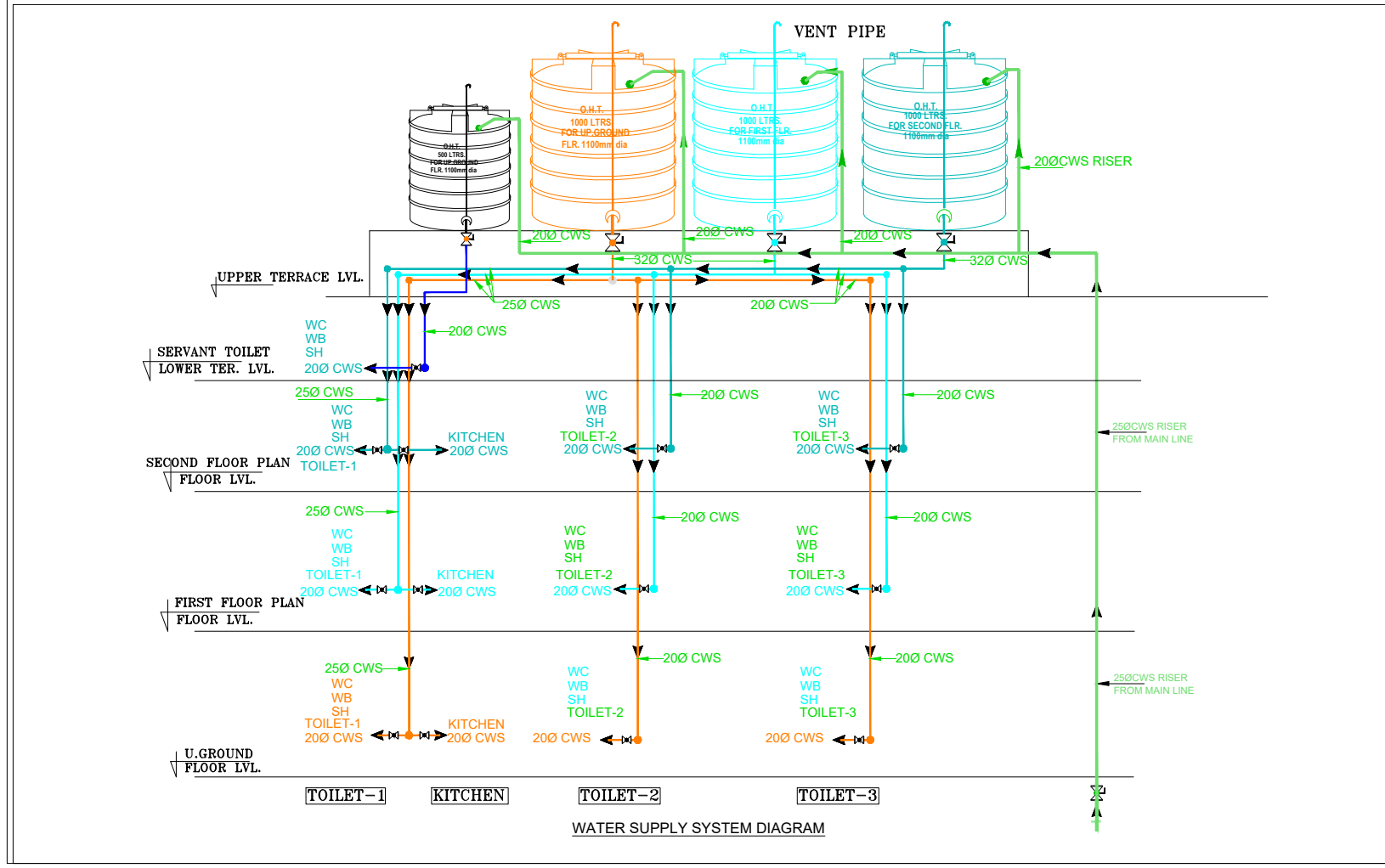
- THIS DRAWING IS NOT TO BE SCALED. ONLY WRITTEN DIMENSIONS ARE TO BE FOLLOWED.
- ALL DIMENSION SHALL BE CHECKED AT SITE BEFORE COMMENCEMENT OF WORK.
- ANY DISCREPANCY MUST BE BROUGHT IN THE NOTICE OF ARCHITECT IMMEDIATELY.
- THIS DWG. SHALL BE READ IN CONJUNCTION WITH STRUCTURE AND OTHER SERVICES DWG.

LEGEND : (Plumbing)

S. No	SYMBOL	DESCRIPTION
1	110mm OD uPVC SOIL AND VENT PIPE	
2	110mm OD uPVC WASTE AND VENT PIPE	
3	75mm OD uPVC WASTE PIPE FOR UTILITY BALCONY	
4	COLD WATER SUPPLY PIPE FOR UP. GROUND FLOOR	
5	COLD WATER SUPPLY PIPE FOR FIRST FLOOR	
6	COLD WATER SUPPLY PIPE FOR SECOND FLOOR	
7	COLD WATER SUPPLY PIPE FOR SERVANT TOILET	
8	250 COLD WATER RISER PIPE TO FILL O.H.T	
9	110mm OD uPVC RAIN WATER PIPE	
10	75mm OD uPVC RAIN WATER PIPE FOR BALCONY	
11	BD BALCONY DRAIN	
12	ISOLATING VALVE	
13	FLOOR TRAP WITH GRATING	
14	MANHOLE 600mm X 600mm INTERNAL SIZE	
15	GULLY TRAP 300mm X 300mm INTERNAL SIZE	
16	CATCH BASIN 450mm X 450mm INTERNAL SIZE	

NOTES : (Plumbing)

- COLD/HOT WATER SUPPLY PIPE MATERIAL:
 - a) FOR INSIDE TOILET - CPVC PIPES AND FITTINGS SDR-11
 - b) FOR SHAFT / TERRACE - CPVC SDR-11
- SOIL/WASTE/VENT/RAIN WATER PIPE MATERIAL:
 - a) UP TO 65 MM DIA PIPE - UPVC (6 KGSS/CM) AS PER IS-1358 & IS-14735 (SUITABLE FOR SOLVENT CEMENT JOINT)
 - b) 75/90/110/150 MM DIA PIPE - UPVC (8 KGSS/CM) AS PER IS-1358 & IS-14735 (SUITABLE FOR SOLVENT CEMENT JOINT)
 - c) 75/90/110/150 MM DIA PIPE - UPVC (8MR) (TYPE B) AS PER IS-1358 & IS-14735 (SUITABLE FOR SOLVENT CEMENT JOINT)
- ALL THE FLOOR TRAPS WHICH ARE DIRECTLY CONNECTED TO PIPE AND MANHOLE SHALL STRICTLY BE OF DEEP SEAL TYPE (80 MM SEAL).
- THE SLOPE OF TERRACE FROM RIDGE LINE TOWARDS RAIN WATER PIPES SHALL BE 1 IN 100.
- NO PIPE SHALL DAMAGE THE COLUMN AND BEAM.
- DRAINAGE PIPE FROM UTILITY BALCONY / WHICH HAS WASHING MACHINE) SHALL BE CONNECTED TO THE GULLY TRAP AT GROUND.
- USE ONLY SOLVENT JOINT FITTINGS (RING FIT NOT RECOMMENDED)
- USE ONLY PLAN TEE AND PLAN BEND (USE OF TEE BEND WITH DOOR IS NOT RECOMMENDED)
- USE Y-PIECE IN PLACE OF TEE
- VERTICAL PIPE MUST BE SUPPORTED AT 1 MTR. INTERVAL
- FLOOR TRAP POINT MUST BE SUPPORTED PROPERLY.



REV. NO.	DATE	DESCRIPTION

APPROVED BY

DEPARTMENT	SEAL
ARCHITECTURE	
STRUCTURE	
ELECTRICAL	
SERVICES	
LANDSCAPE	

PROJECT:

10X20 HI-TECH,LUCKNOW
PLOT 49 TO 53 & 56 TO 60

CLIENT:

OMAXE
TURNING DREAMS INTO REALITY

DISCIPLINE: PLUMBING DRAWING

DRG. NO.: LKO/HI-TECH/10X20 SET/PHE/07

DRG. TITLE: PLUMBING LAYOUT TOILET DETAILS & WATER SCHEMATIC DIAGRAM

SCALE	DATE (DD)	REVISION	REV. DATE

DRAWN BY: CHECKED BY: STATUS:

THIS DRAWING IS THE SOLE PROPERTY OF OMAXE LTD. USE OF THIS DRAWING FOR ANY PURPOSE OTHER THAN THAT MENTIONED TO BE DONE ONLY AFTER THEIR PRICE APPROVAL.