

AREA CHART

S.No.	Length (m)	Width (m)	Area (sqm)
a	11.900	8.000	95.800
b	8.000	0.400	3.200
c	0.800	0.400	0.320
d	0.100	1.300	0.130
e	0.100	2.000	0.200
f	0.100	3.000	0.300
g	8.175	0.100	0.818
h	1.900	0.900	1.710
i	0.400	5.650	2.260
j	0.700	4.100	2.870

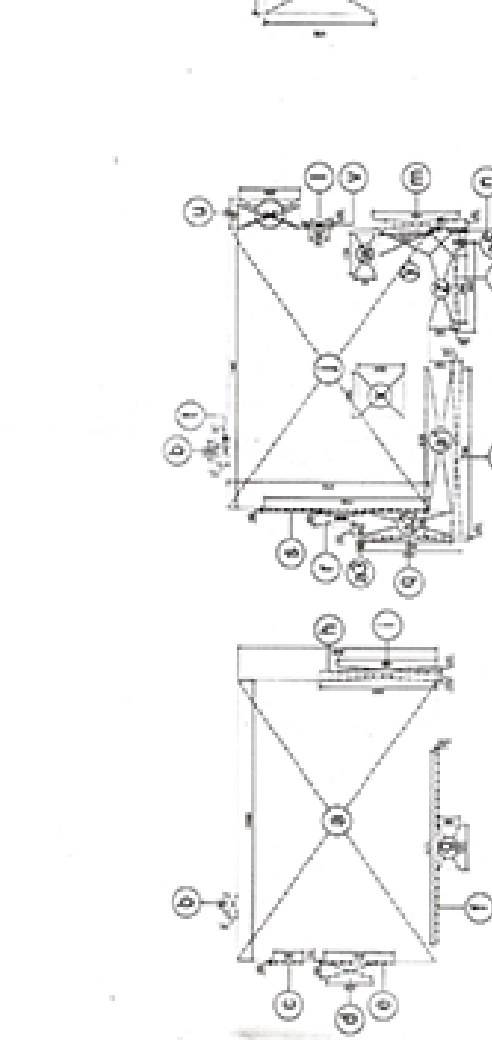
TAB Covered floor (Area to h) = 28.818 sqm

GROUND COVERAGE (by 100% to all) = 115.618 sqm

AREA OF GROUND FLOOR = 98.028 sqm

AREA OF FIRST FLOOR = 40% to 100% of G.F. = 39.211 sqm

TOTAL F.A.R. = 137.239 + 156.388 = 293.627 sqm



GROUND COVERAGE

S.No.	Length (m)	Width (m)	Area (sqm)
a	0.800	0.400	0.320
b	11.900	8.700	103.530
c	1.250	2.600	3.250
d	0.400	0.750	0.300
e	0.400	3.700	1.480
f	0.100	1.250	0.125
g	3.850	0.250	0.963
h	7.100	0.400	2.840
i	0.200	4.500	0.900
j	0.600	2.000	1.200
k	0.100	7.100	0.710
l	2.850	1.000	2.850
m	6.100	1.000	6.100
n	1.000	3.800	3.800
o	0.400	0.300	0.120
p	1.000	1.000	1.000

Ground Coverage = 126.488

CONCERN NOTES

1. Dimensions are in mm unless mentioned otherwise.
2. Check for structural stability and safety.
3. Check for fire safety and fire fighting facilities.
4. Check for drainage and water supply.
5. Check for ventilation and lighting.
6. Check for accessibility for disabled persons.

COMMENTS

The 'Investigation' and 'check' reports, in part or in whole, have been prepared by the concerned authorities and shall be submitted to the concerned authorities for their approval.

REVISION COLUMN

No.	Description

KEY PLAN

CLIENT
Sri Radha Vrindavan Chandra Mandir, Krishna Lila Theme Park and Group Housing

PROJECT NAME
Sri Radha Vrindavan Chandra Mandir, Krishna Lila Theme Park and Group Housing

ARCHITECT
Rajeev Agamwal Architects

DESIGNER
Rajeev Agamwal Architects

CHECKED BY
Rajeev Agamwal

DATE
15/08/2024

SCALE
1:100

SOLE DATE
15/08/2024

KBSD Type B2
A-103

R0

CONCERN NOTES

1. Dimensions are in mm unless mentioned otherwise.
2. Check for structural stability and safety.
3. Check for fire safety and fire fighting facilities.
4. Check for drainage and water supply.
5. Check for ventilation and lighting.
6. Check for accessibility for disabled persons.

COMMENTS

The 'Investigation' and 'check' reports, in part or in whole, have been prepared by the concerned authorities and shall be submitted to the concerned authorities for their approval.

REVISION COLUMN

No.	Description

KEY PLAN

CLIENT
Sri Radha Vrindavan Chandra Mandir, Krishna Lila Theme Park and Group Housing

PROJECT NAME
Sri Radha Vrindavan Chandra Mandir, Krishna Lila Theme Park and Group Housing

ARCHITECT
Rajeev Agamwal Architects

DESIGNER
Rajeev Agamwal Architects

CHECKED BY
Rajeev Agamwal

DATE
15/08/2024

SCALE
1:100

SOLE DATE
15/08/2024

KBSD Type B2
A-103

R0

CONCERN NOTES

1. Dimensions are in mm unless mentioned otherwise.
2. Check for structural stability and safety.
3. Check for fire safety and fire fighting facilities.
4. Check for drainage and water supply.
5. Check for ventilation and lighting.
6. Check for accessibility for disabled persons.

COMMENTS

The 'Investigation' and 'check' reports, in part or in whole, have been prepared by the concerned authorities and shall be submitted to the concerned authorities for their approval.

REVISION COLUMN

No.	Description

KEY PLAN

CLIENT
Sri Radha Vrindavan Chandra Mandir, Krishna Lila Theme Park and Group Housing

PROJECT NAME
Sri Radha Vrindavan Chandra Mandir, Krishna Lila Theme Park and Group Housing

ARCHITECT
Rajeev Agamwal Architects

DESIGNER
Rajeev Agamwal Architects

CHECKED BY
Rajeev Agamwal

DATE
15/08/2024

SCALE
1:100

SOLE DATE
15/08/2024

KBSD Type B2
A-103

R0