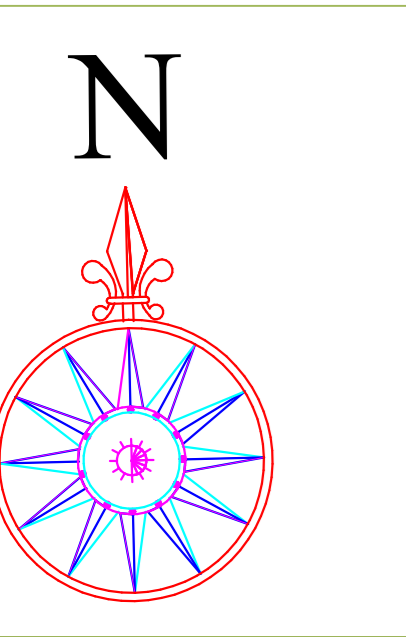
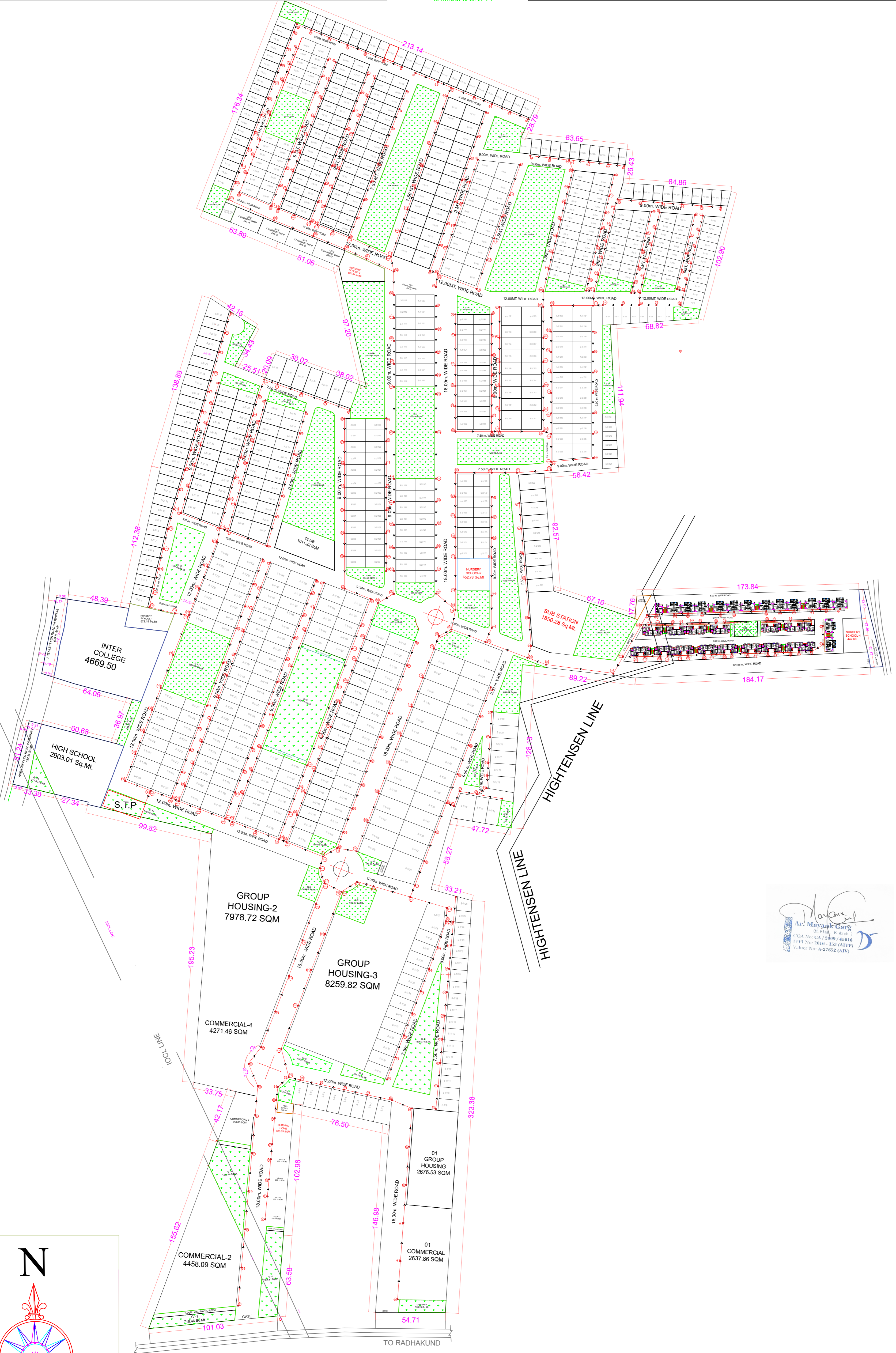
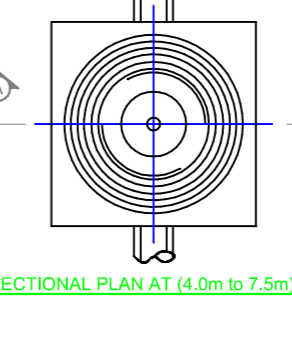
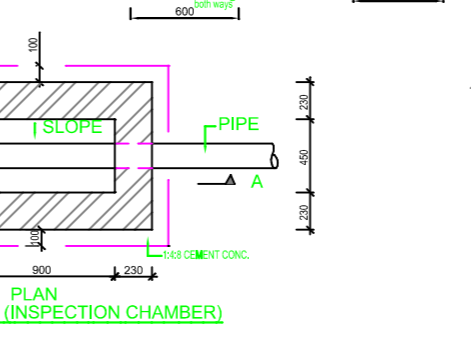
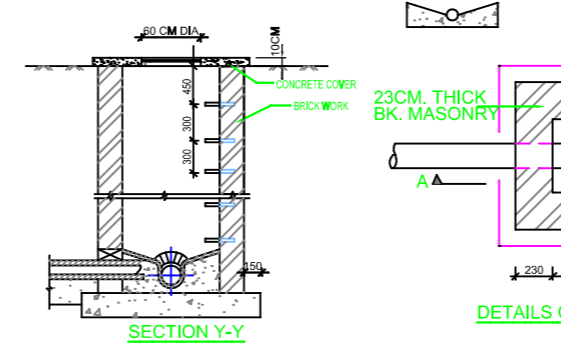
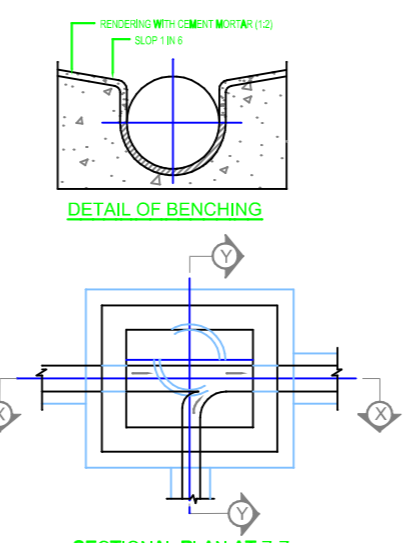
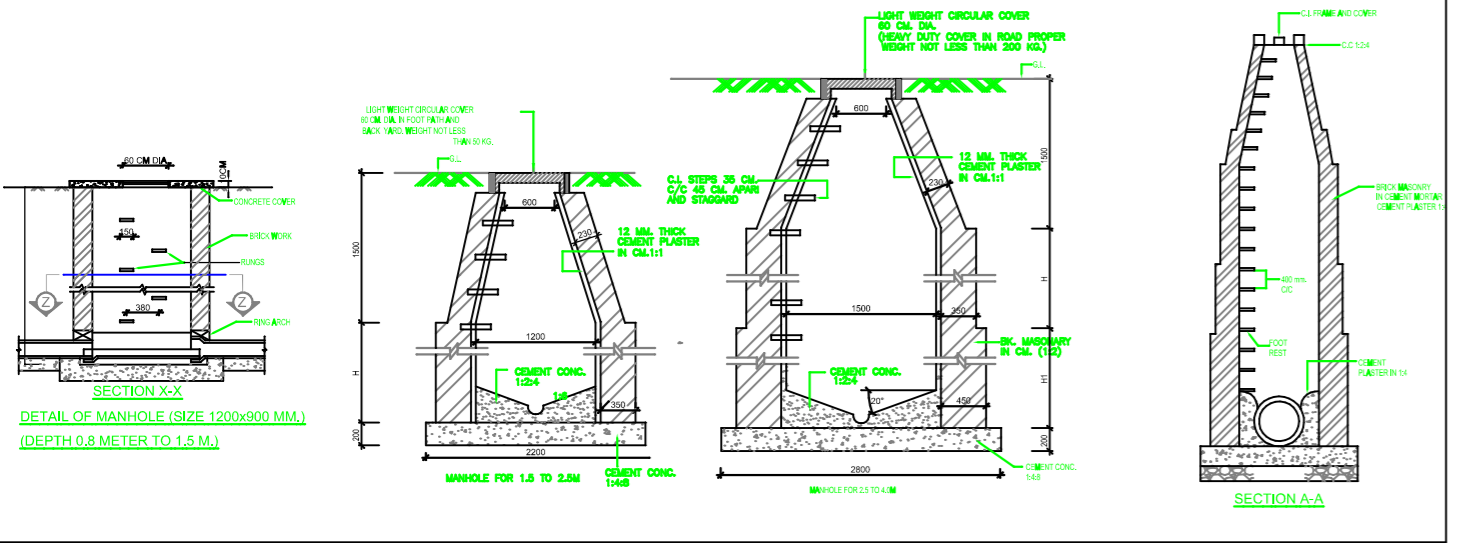
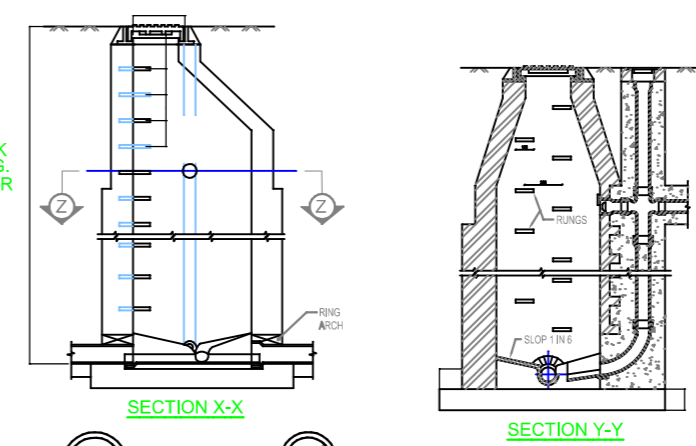
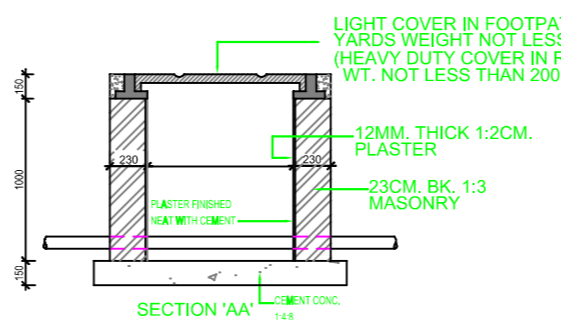
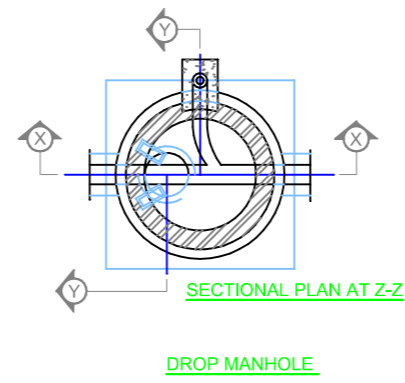
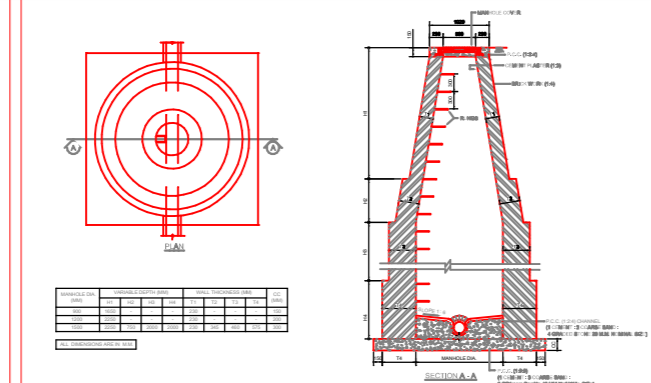


THIS DRAWING IS THE PROPERTY OF THE DCPL. AND SHALL NOT BE COPIED OR USED IN ANY MANNER WITHOUT PRIOR PERMISSION.

GENERAL NOTES

1. ALL DIMENSIONS ARE IN mm UNTIL OR UNLESS SPECIFIED
2. ALL ARCHITECTURE & STRUCTURE DRAWINGS TO BE READ TOGETHER ALONG WITH ALL SERVICE DETAIL DRAWING
3. ALL DIMENSION MUST BE CHECKED ON SITE & WITH OTHER DRAWING BEFORE EXECUTION
4. ANY DISCREPANCY, IF FOUND IN DRAWING OR AN SITE, THE SAME WILL BE INFORMED TO CONSULTANTS OR ENGINEER IN CHARGE FOR GETTING PROPER CLARIFICATION
5. ALL STRUCTURAL CONCRETE SHALL BE OF M-25/M-20 OR AS SPECIFIED IN DRAWING
6. ALL STEEL REINFORCEMENT TO BE USED WHILE DESIGNING WILL BE OF MINIMUM Fe 500 D OF ORIGINAL MANUFACTURER
7. P.C.C WILL BE OF 1:4:8
8. N.G.L REFERS TO NEGOTIABLE GROUND LEVEL AS MENTIONED IN DRAWINGS
9. ANY CONSTRUCTIONS JOINT IF ANY APPLIED ON SITE OR NEEDED WILL BE INFORMED TO CONSULTANTS AND ENGINEER IN CHARGE OR BOTH AT SAME WILL BE MARKED IN DRAWING BY CONTRACTOR WITH SIGNATURE.
10. CLEAR COVER FOR FOUNDATION=75mm, COLUMN=50mm, BEAM=30mm, SLAB=20mm OR AS SPECIFIED BY STRUCTURE ENGINEER OR CONSULTANTS.
11. SAFE BEARING CAPACITY HAS BEEN CONSIDERED AS PER SOIL TESTING REPORT
12. MINIMUM LAP LENGTH IN STEEL REINFORCEMENT WILL BE 50D (D' REFERS TO DIA. OF STEEL) UNTIL AND UNLESS SPECIFIED
13. THIS DRAWING IS THE PROPERTY OF CONSULTANT & NEED PRIOR PERMISSION FROM CONSULTANT APPLICABLE TO ALL.

| LEGEND | |
|--------|------------|
| | SEWER LINE |
| | MANHOLE |



LAYOUT PLAN

| MARK | DATE | DESCRIPTION |
|------|------|-------------|
| | | |
| | | |

CLIENTS:-
MATHURA VRINDAVAN DEVELOPMENT AUTHORITY
Civil Lines, Mathura Cantonment, Mathura, Uttar Pradesh 281001

MEP CONSULTANT



VK Consultants
Plot No.-4, Hanumant Nagar, Takrohi Bazar,
Indira Nagar, Lucknow-226016.
Mobile: +91-8765013893
Email: vkcc.2018@gmail.com

STRUCTURE CONSULTANT:-
ER. ABHISHEK ARORA
(B.TECH) (M.TECH)
STRUCTURE

ARCHITECTS:-
DERA Consultants Pvt. Ltd.
30-B, Geeta Enclave, Krishna Nagar,
Mathura 281004, Uttar Pradesh (India)
E-Mail: office@dera.co.in,
Contact: +91-8909871654

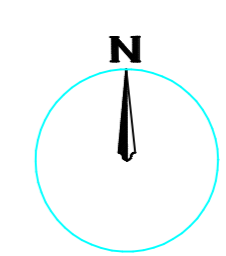
PROJECT:-
**PROPOSED HANUMANT VIHAR
AWASIYA YOJNA AT BATHI ,
NEAR HANUMAN MANDIR
GOVERDHAN CHHATIKRA
ROAD MATHURA**

DRAWING TITLE:-
FOR APPROVAL

DRAWING PURPOSE:-
**SEWER LINE
LAYOUT PLAN**

| | | |
|-----------------------------------------|-------------------------|----------------------------|
| JOB NO. - MVDA/BATHI/21-22/01 | DWG. REF. NO. - ---- | DATE- 12-01-2024 |
| SCALE- MENTIONED | REVISION- ---- | DATE OF ISSUE- |

DWG. NO.-
BATHI/LAYOUT/ST/01

| | | |
|---------------------------------------------------------------------------------------|--------------------------|----------------------------|
|  | SHEET SIZE- A2 | SHEET NO.- 04/05 |
| | DRAWN BY- D.D. SHARMA | CHECKED BY- Ar. M. Garg |