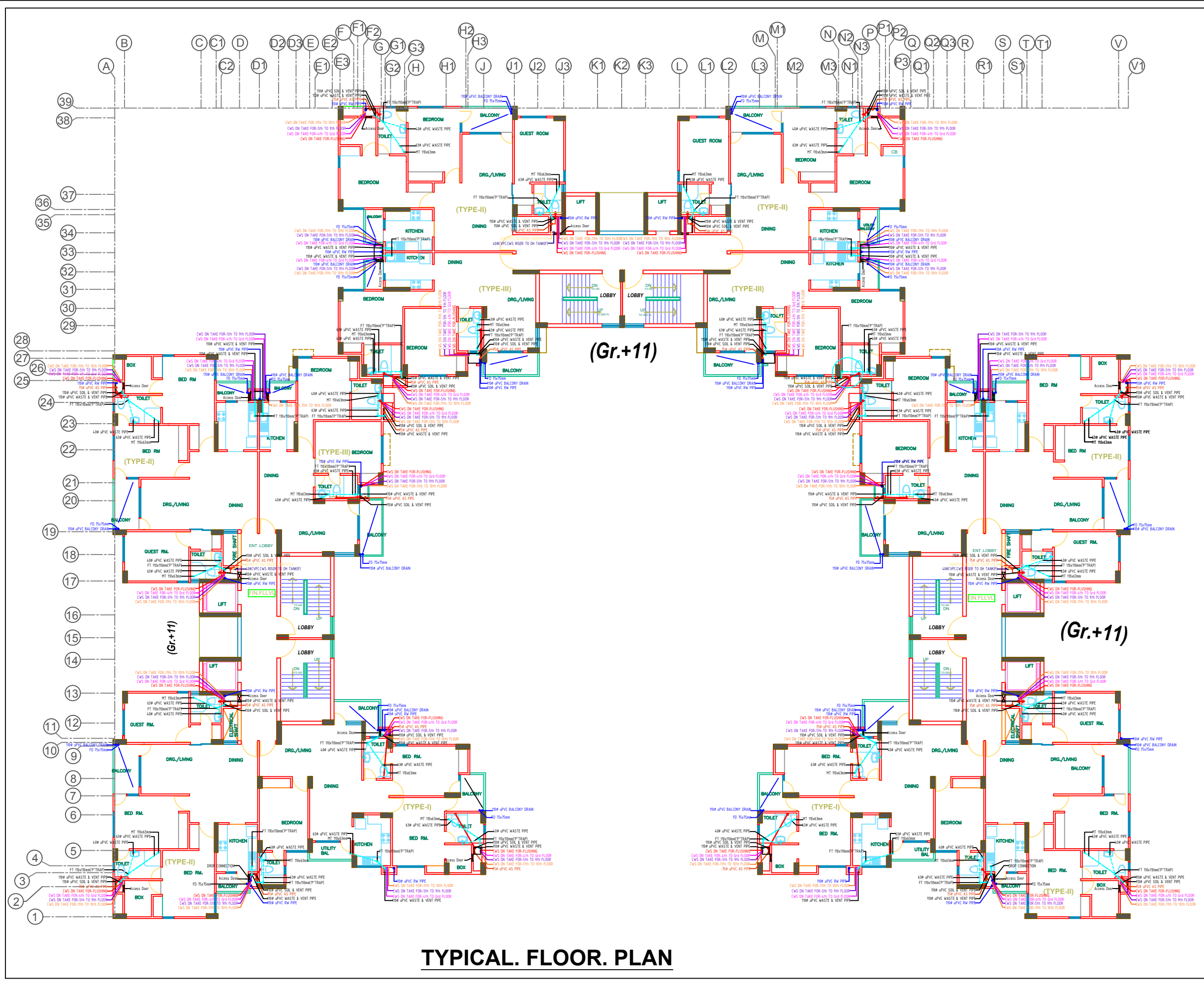


# TERRACE FLOOR PLAN

NOS.	DATE	ISSUED TO
TITLE: PLUMBING DRAWING TERRACE FLOOR PLAN (WORKING DRAWING)		
Project: <b>ELDECO BREEZE</b> <b>PROPOSED GROUP HOUSING</b> <b>AT ELDECO CITY, LUCKNOW.</b>		
Architect's:- SPACE COMBINE ARCHITECTS, PLANNERS, ENGINEERS & PROJECT MANAGEMENT CONSULTANT A1/112, 2ND FLOOR, SAFDARJUNG ENCLAVE, NEW DELHI-29. PH:-41651044, 41651055		
DEALT BY:-	SUMIT	DRG.NO.-
CHKD.BY:-	RAWAT	EBL/PL/03
SCALE:-	1:100	JOB NO.:-
DATE:-	30-11-2011	1024(F)



# TYPICAL. FLOOR. PLAN

NOS.	DATE	ISSUED TO
TITLE: PLUMBING DRAWING TYPICAL FLOOR PLAN (WORKING DRAWING)		
Project: ELDECO BREEZE PROPOSED GROUP HOUSING AT ELDECO CITY, LUCKNOW.		
Architect's:- SPACE COMBINE ARCHITECTS, PLANNERS, ENGINEERS & PROJECT MANAGEMENT CONSULTANT A1/112, 2ND FLOOR, SAFDARJUNG ENCLAVE, NEW DELHI-29. PH:-41651044, 41651055		
DEALT BY:-	SUMIT	DRG.NO.-
CHKD.BY:-	RAWAT	EBL/PL/02
SCALE:-	1:100	JOB NO.:-
DATE:-	30-11-2011	1024(F)