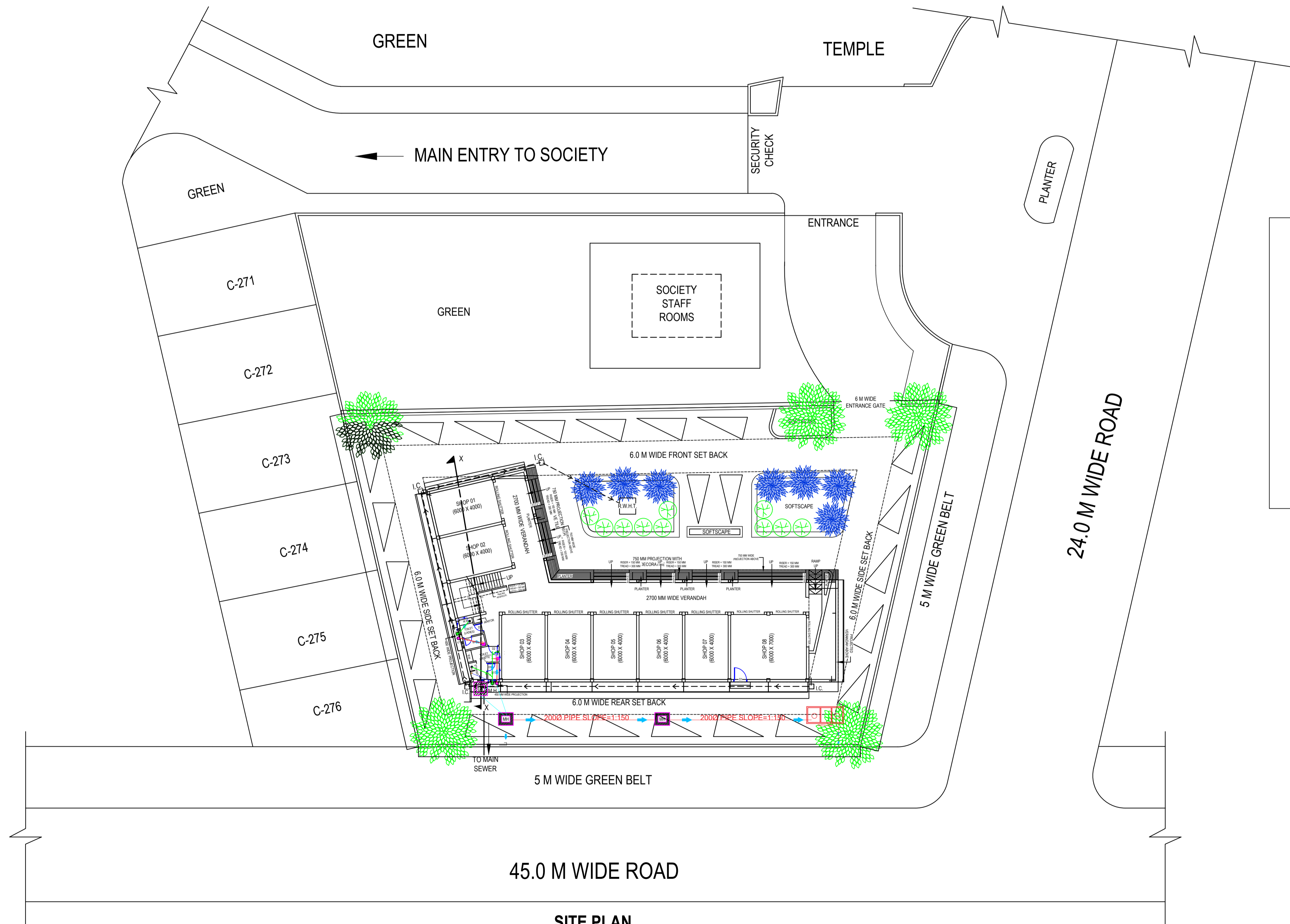
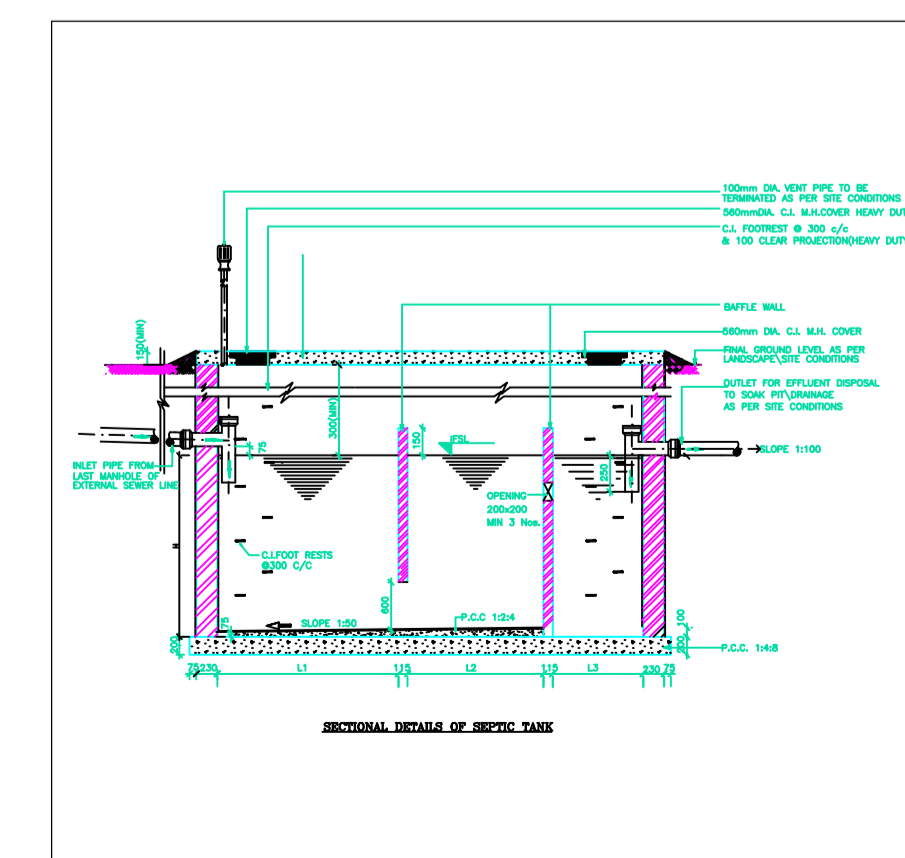
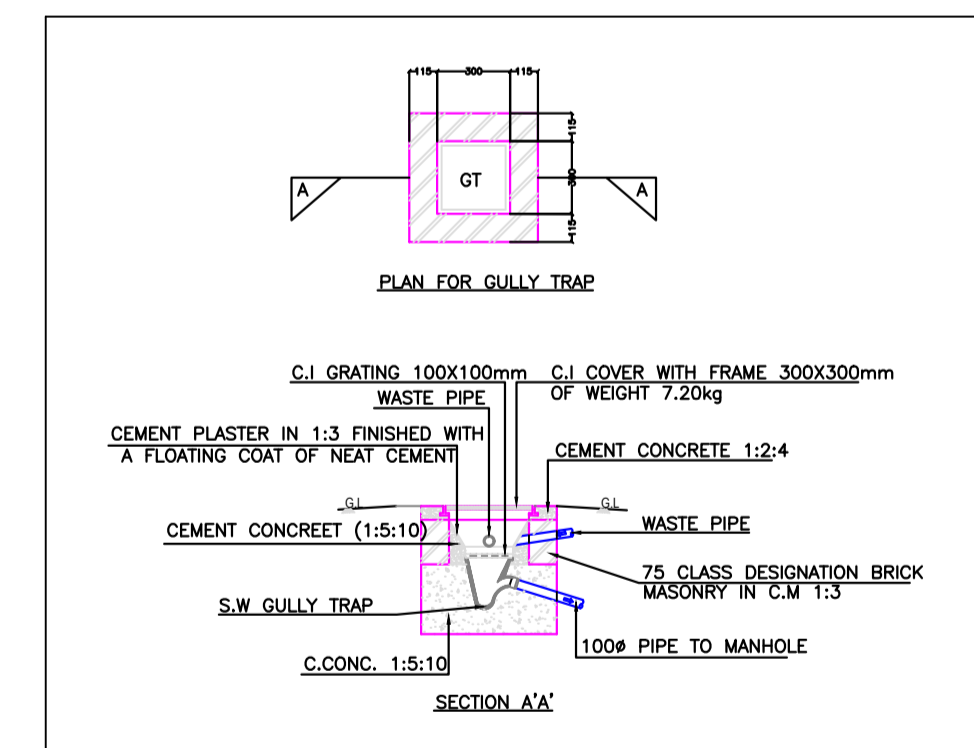
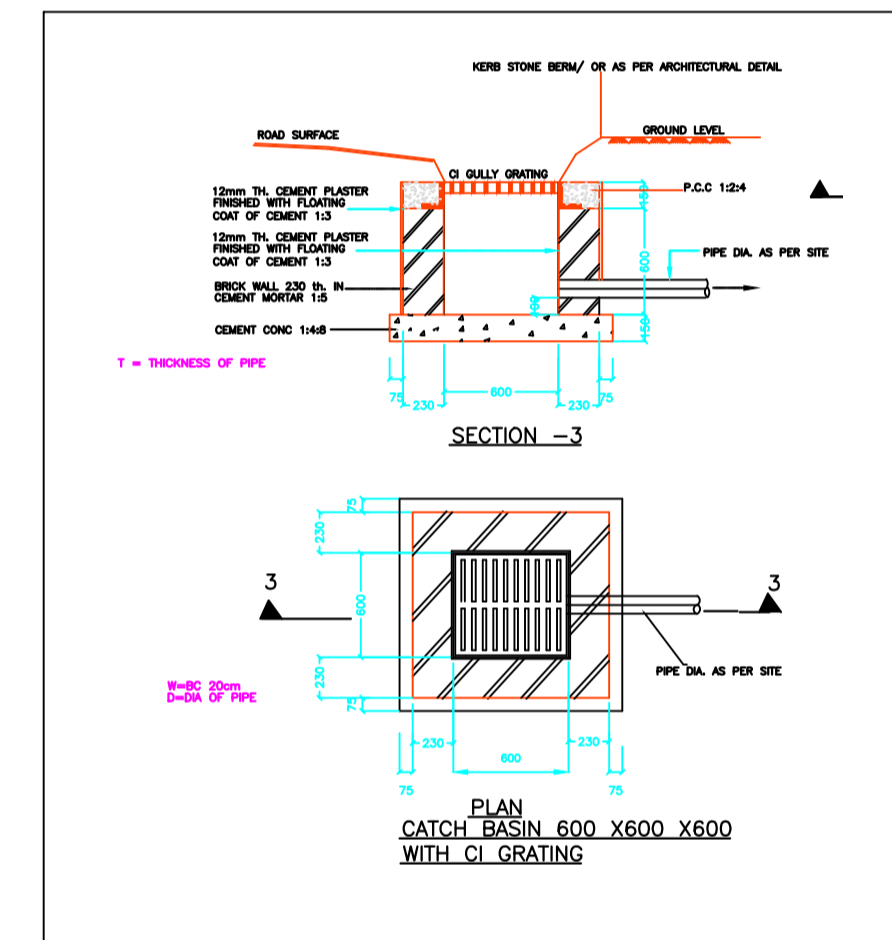
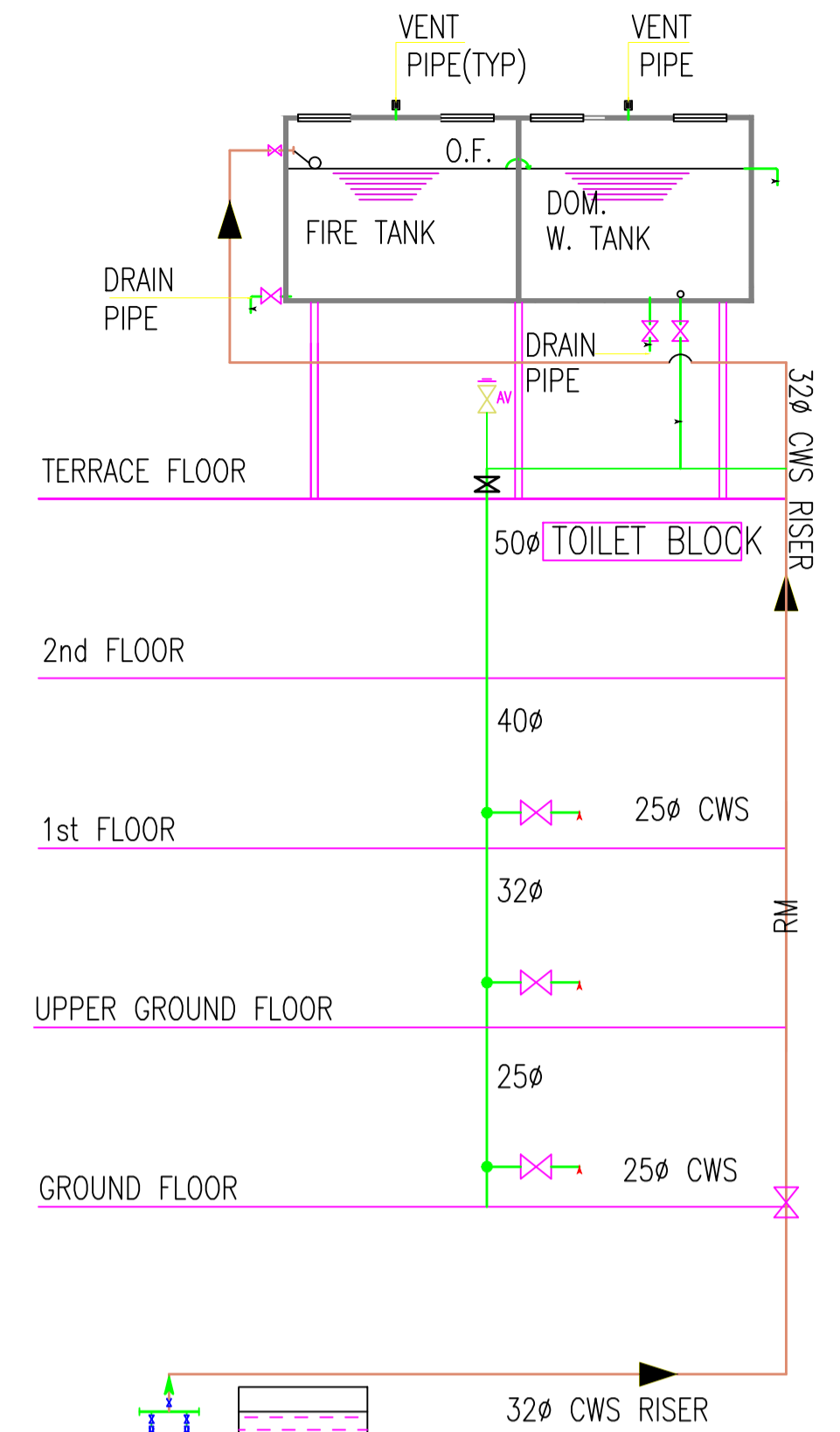


# SEWER WATER SUPPLY



**SITE PLAN**  
(SCALE = 1:200)



**PIPE LEGEND**

S.NO.	DESCRIPTION	PIPE DIA
01.	WC TO SOIL STACK	110 OD
02.	FLOOR TRAP TO WASTE STACK	110 OD
03.	FLOOR TRAP TO GULLY TRAP	110 OD
04.	URINAL TRAP TO SOIL STACK	110 OD
05.	FLOOR DRAIN TO FLOOR TRAP	63 OD
06.	URINAL TO URINAL TRAP	40 OD

	FLOOR TRAP
	MANHOLE
	GULLY TRAP
	SOIL PIPE
	WASTE PIPE
	WASTE PIPE