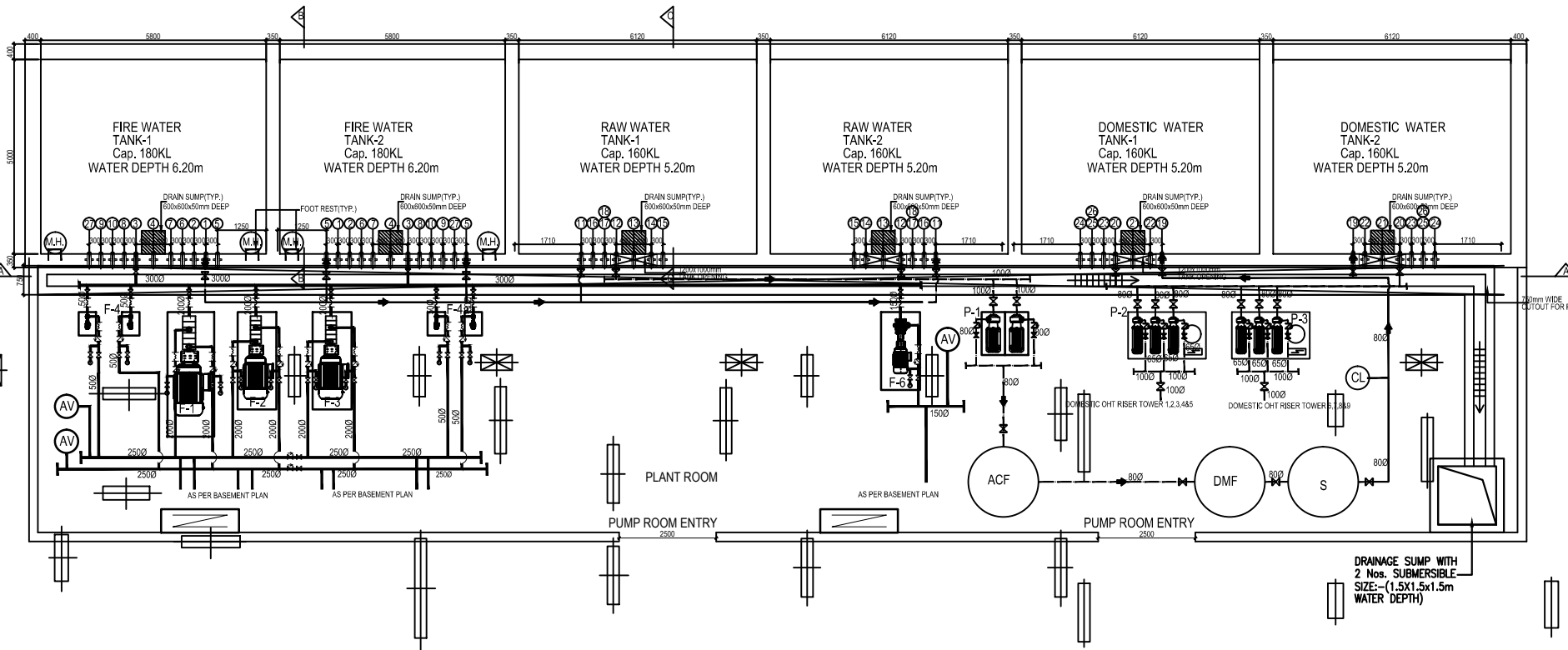


SECTION-A-A



SCHEDULE FOR SLEEVE

S.NO	DESCRIPTION	DIA OF PIPE	BOTTOM OF PIPE (M)	NO OF PUDDLE
FIRE WATER TANK				
1	INLET CONNECTION FROM CITY WATER SUPPLY LINE	100#	(-0.3M)	02
2	INLET CONNECTION FROM BORE WELL LINE	100#	(-0.3M)	02
3	SUCTION PIPE FROM FIRE WATER TANK	300#	(-0.6M)	02
4	DRAIN PIPE FROM FIRE WATER TANK	80#	(-0.7M)	02
5	OVER FLOW FROM FIRE TANK-1 TO FIRE TANK-2	100#	(-0.4M)	03
6	FIRE BRIDGE INLET CONNECTION	150#	(-0.3M)	02
7	FIRE BRIGADE WITHDRAWAL CONNECTION	150#	(-0.3M)	02
8	VENT PIPE FOR FIRE WATER TANK	100#	(-0.2M)	02
9	LEVEL INDICATOR (UPPER LEVEL)	25#	(-0.2M)	02
10	LEVEL INDICATOR (BOTTOM LEVEL)	25#	(-0.3M)	02
27	INLET CONNECTION FROM TEST LINE	150#	(-0.3M)	02
RAW WATER TANK				
11	INLET PIPE FROM FIRE TANK OVER FLOW	100#	(-1.3M)	02
12	SUCTION PIPE FROM RAW WATER TANK	150#	(-0.6M)	02
13	DRAIN PIPE FROM RAW WATER TANK	80#	(-0.7M)	02
14	OVER FLOW PIPE FROM RAW WATER TANK	100#	(-1.4M)	02
15	VENT PIPE FOR RAW WATER TANK	100#	(-1.2M)	02
16	LEVEL CONTROLLER	50#	(-1.2M)	02
17	LEVEL INDICATOR (UPPER LEVEL)	25#	(-1.2M)	02
18	LEVEL INDICATOR (BOTTOM LEVEL)	25#	(-0.3M)	02
DOMESTIC WATER TANK				
19	INLET CONNECTION FROM FILTER	100#	(-1.3M)	02
20	SUCTION PIPE FROM DOMESTIC WATER TANK	150#	(-0.6M)	02
21	DRAIN PIPE FROM DOMESTIC WATER TANK	80#	(-0.7M)	02
22	OVER FLOW PIPE FROM DOMESTIC WATER TANK	100#	(-1.4M)	02
23	VENT PIPE FOR DOMESTIC WATER TANK	100#	(-1.2M)	02
24	LEVEL CONTROLLER	50#	(-1.2M)	02
25	LEVEL INDICATOR (UPPER LEVEL)	25#	(-1.2M)	02
26	LEVEL INDICATOR (BOTTOM LEVEL)	25#	(-0.3M)	02
BOTTOM OF FIRE WATER TANKS		(-0.6M)		
WATER LEVEL OF FIRE TANKS		(-0.4M)		
BOTTOM OF RAW, DOMESTIC TANKS		(-0.6M)		
WATER LEVEL OF RAW, DOMESTIC TANKS		(-1.4M)		
PLANT ROOM LEVEL		(-7.5M)		

S.NO	DESCRIPTION	QTY
F-1	DIESEL DRIVEN ENGINE PUMP	1 NOS.
F-2	HYDRANT PUMP	1 NOS.
F-3	SPRINKLER PUMP	1 NOS.
F-4	JOCKY PUMP LOW ZONE	2 NOS.
F-4A	JOCKY PUMP HIGH ZONE	2 NOS.
F-5	WATER CURTAIN PUMP	1 NOS.
P-1	FILTER FEED PUMP	1 NOS.
P-2	DOMESTIC WATER TRANSFER PUMP 2WORKING+1STANDBY FOR (1,2,3,4&5TOWER)	1 SET
P-3	DOMESTIC WATER TRANSFER PUMP 2WORKING+1STANDBY FOR (6,7,8&9TOWER)	1 SET
DMF	DUAL MEDIA FILTER	1 NOS.
ACF	ACTIVATED CARBON FILTER	1 NOS.
S	SOFTNER	1 NOS.
AV	AIR VESSEL	4 NOS.

DATE	REV. NO	REMARKS	MODE OF DISPATCH

STRUCTURE CONSULTANT:
CE.CON . ENGG
 NEW DELHI

Building Services (MEP) Consultants
SNC
 MEP Consulting Engineers
 Sunil Nayyar Consultants Pvt. Ltd.
 Head Office: 200-206A & 205A-205B, 3rd & 3rd Floor,
 Times Centre, DLF Golf Course Road,
 Sector-54, Gurgaon-122002, Haryana (India)
 Tele : +91-124-4803800 (30 Lines)
 Fax : +91-124-4803817
 E-mail : sncgurgaon@snc.co.in
 URL : www.snc.co.in

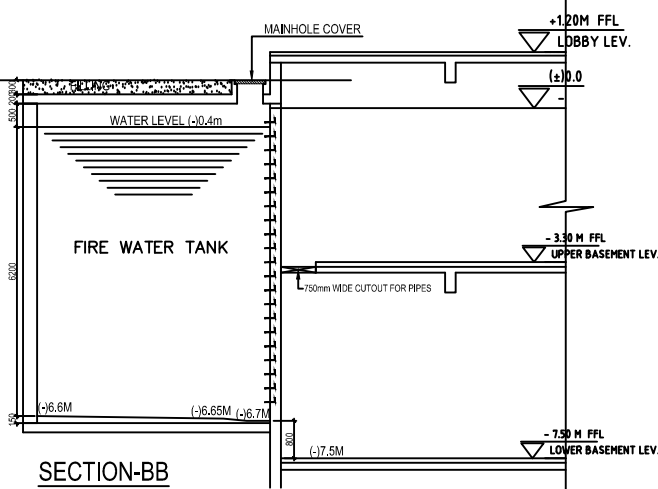
CLIENT:
RADHE KRISHNA TECHNO BUILD PVT.LTD.
 PLOT NO - GH - 04A, SEC - 16, GREATER NOIDA.

PROJECT:
CASA GREEN SECTOR 16 NOIDA

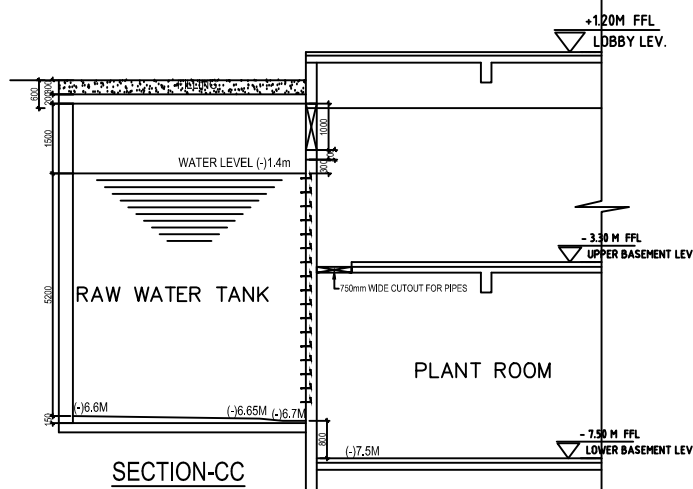
DRG. TITLE
 PLUMBING SERVICES LAYOUT UNDER GROUND WATER TANK DETAIL

DRAWN BY: KAPIL
 CHECKED BY: A.N.
 SCALE: 1:50
 DATE: 08.08.17
 DWG.NO.: SNC-CG-UGT-01

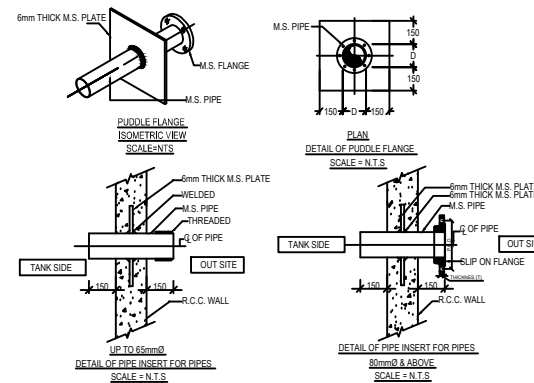
RELEASED FOR:
 REV NO: -
 RO



SECTION-BB



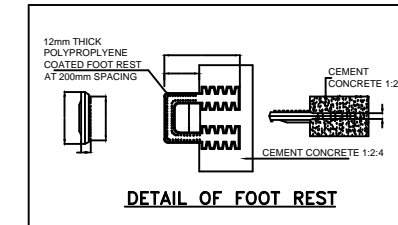
SECTION-CC



NOTE:
 ALL PUDDLE FLANGE WILL BE DIPPED GALVANIZED AFTER FABRICATION.

DETAIL OF PUDDLE FLANGE

NOMINAL SIZE	FLANGE O.D.	P.C.D.	NO.OF HOLES	DIA OF BOLT IN mm	T mm
80	181.25	143.75	16	16	10
100	212.50	175.00	16	16	10
150	275.00	231.25	16	16	12
200	331.25	287.50	16	12	12
250	400.00	350.00	20	16	15



S.NO	DESCRIPTION	QTY
F-1	DIESEL DRIVEN ENGINE PUMP	1 NOS.
F-2	HYDRANT PUMP	1 NOS.
F-3	SPRINKLER PUMP	1 NOS.
F-4	JOCKY PUMP LOW ZONE	2 NOS.
F-4A	JOCKY PUMP HIGH ZONE	2 NOS.